



RAFTER MOUNT 2

DESCRIPTION

- Designed for most stick framed roof types
- Designed for deck mount tubes (see deck mount tube product data sheet)
- Installed using (4) #14 screws
- Must be installed into structural roof member such as a truss or rafter beam
- All roof penetrations that go through the underlayment are required to be flashed or sealed
- Ice Flags recommended
- Powder coated to match roofing material color
- Overall dimensions: 8"L X 2.06"W X 6.69"H

MATERIALS

- Zinc Coated Steel: 1/4" (ASTM A36)
- Copper: 1/4" (ASTM B152)
- Weathering Steel (known as CORTEN®): 1/4" (ASTM A588)

COLORS/FINISHES

- Raw Steel
- Electro-galvanized steel
- Zinc Plated Steel
- Mill Finish Copper
- Mill Finish A588
- Powder coating available in many colors visit <http://trasnowandsun.com/color-chart/> to see color chart

NOTE: Due to specific job conditions, TRA Snow and Sun will only warranty a snow retention system/layout that has been designed by TRA Snow and Sun.

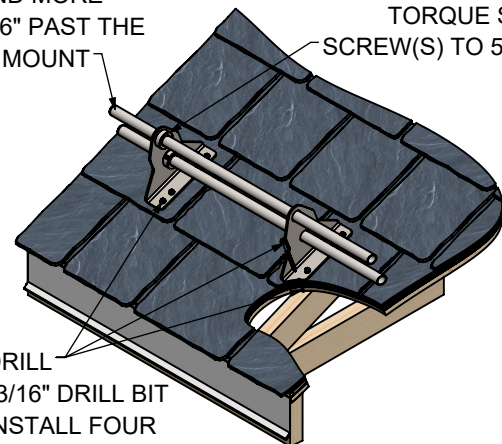


2 RAIL SNOW FENCE SYSTEM

USED ON: ROOF MATERIAL TYPES WITH TRUSS/RAFTERS

TUBE(S) MUST NOT EXTEND MORE THAN 6" PAST THE FINAL MOUNT

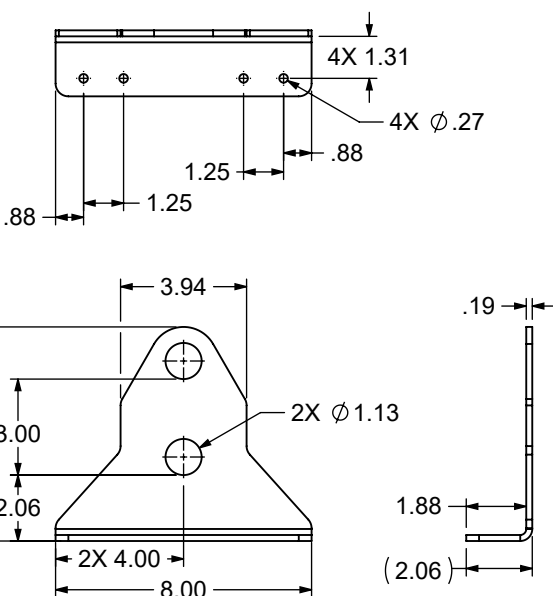
PLACE COLLAR(S) INSIDE OF THE MOUNT AT THE END OF EACH FENCE SECTION. TORQUE SET SCREW(S) TO 5lb-ft



PRE-DRILL WITH 3/16" DRILL BIT AND INSTALL FOUR #14 STRUCTURAL SCREWS PER RAFTER MOUNT, CENTERED ON RAFTER.

INSTALLATION INSTRUCTIONS:

THE DECK MOUNT IS INSTALLED WITH A MINIMUM OF FOUR # 14 SCREWS SCREWED INTO TRUSS, BLOCKING, OR OTHER STRUCTURAL FRAMING (3" MINIMUM DEPTH STRUCTURE EMBED). POSITION SNOW FENCE HOLES DIRECTLY OVER CENTER OF TRUSS. WE ADVISE PLACING SOME TYPE OF CAULKING OR SEALANT IN THE LOCATION OF THE HOLES BEFORE INSTALLING SCREWS. FLASHINGS CAN THEN BE FABRICATED AND PLACED AT THE INSTALLERS DISCRETION. AS AN OPTION, WE DO OFFER BUTYL FLASHING THAT IS APPLIED UNDER THE DECK MOUNT.



DIMENSIONS
DO NOT SCALE