

EAGLE TRUE 2-40 UNDERLAYMENT

Strong. Flexible. Water Resistant.

Protect your roof against moisture and heat damage with Eagle True 2-40. A high quality, premium underlayment, Eagle True 2-40 is manufactured using superior organic felt that is saturated with asphalt and covered on top with mineral surface fines to prevent sticking in the roll.

An exceptional choice to the traditional 30lb base option, Eagle True 2-40 is thicker, stronger and less prone to tearing or splitting during installation or weather events. It also prevents water infiltration by flexing and sealing around the nail for more nail seal-ability. This water-resistant underlayment can be used beneath both residential and commercial roofing systems. Eagle Roofing Products recommends following building code and local amendments when installing, as well as referring to the Tile Roofing Industry Alliance (TRIA) manual when used as a concrete tile roof underlayment.

Ensure your installations are long-lasting and high quality with Eagle True 2-40.

Eagle True 2-40 is:

- USA Made
- A true 2 square roll, even with the overlap
- Cost-effective and water resistant
- Manufactured to comply with ASTM D2626 – 04
- Great for concrete tile roof applications

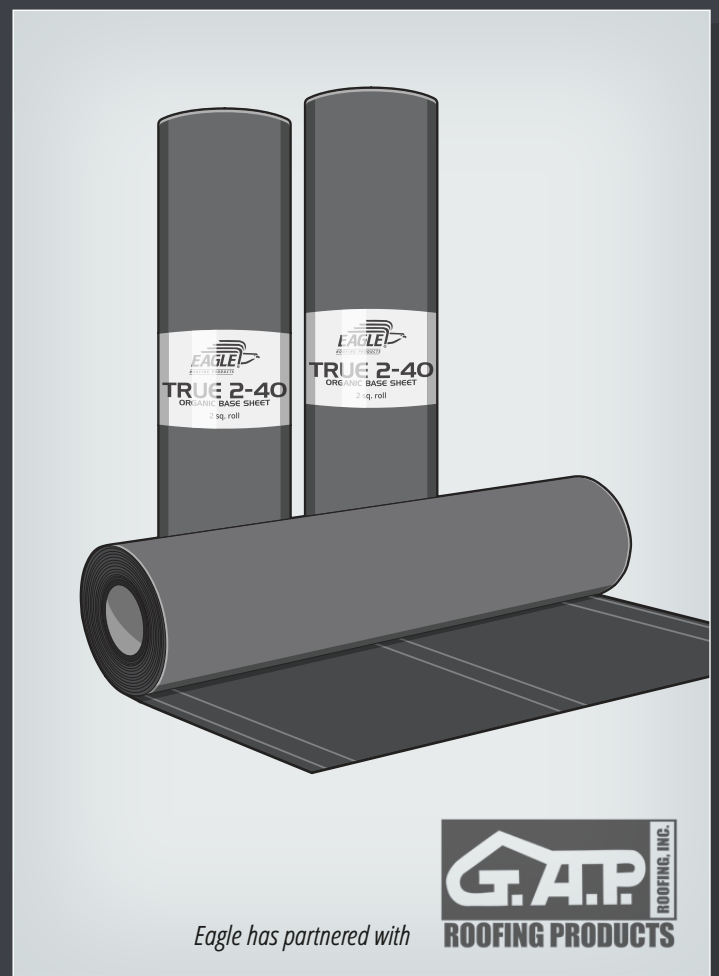
Technical Data:

Width: 39.375 Inches / Coverage 216 sq.ft.
Packaging 25 Rolls Per Pallet / 24 Pallets Per Truckload

- Average Weight/Roll: 78lbs
- Mass of Asphalt Saturant: 7.2lbs/100ft sq
- Mass of Desaturated Felt: 5.2lbs/100ft sq
- Saturation Efficiency (min) by Weight: 70%
- Breaking Strength at 77F (min)
- Machine Direction: 35lb/in
- Cross Direction: 20lb/in

Warranty & Manufacturer:

Warranty is provided by G.A.P. Roofing Products (not Eagle Roofing Products) and information can be found on our website.



For more information, contact your local Eagle Account Representative or visit eagleroofting.com

USA Owned. USA Made.

Connect with us!     

