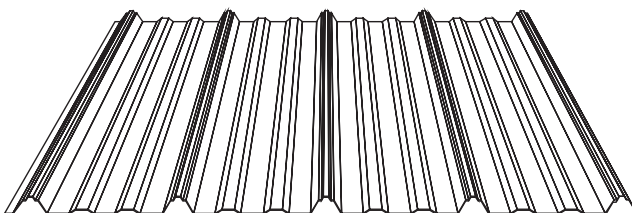




# PRODUCT INFORMATION

The Stormproof® panel system is an exposed fastened offering that can be used for both roof and wall applications. The coverage width of Stormproof® is 36 inches. Stormproof® is ideal for residential, agricultural, light commercial, and storage buildings. It also works well for canopies. The Stormproof® panel must be installed over a solid, waterproofed deck when used as a roof panel.

- Coverage Width – 36"
- Rib Spacing – 9" on center
- Rib Height – ¾"
- Minimum Slope – 3:12
- Panel Attachment – Exposed Fastening System
- Gauge – 29 (standard); 26 (optional)
- Finishes – Striated (standard); Striated minor ribs (optional)
- Coatings – Galvalume Plus®, Signature® 200



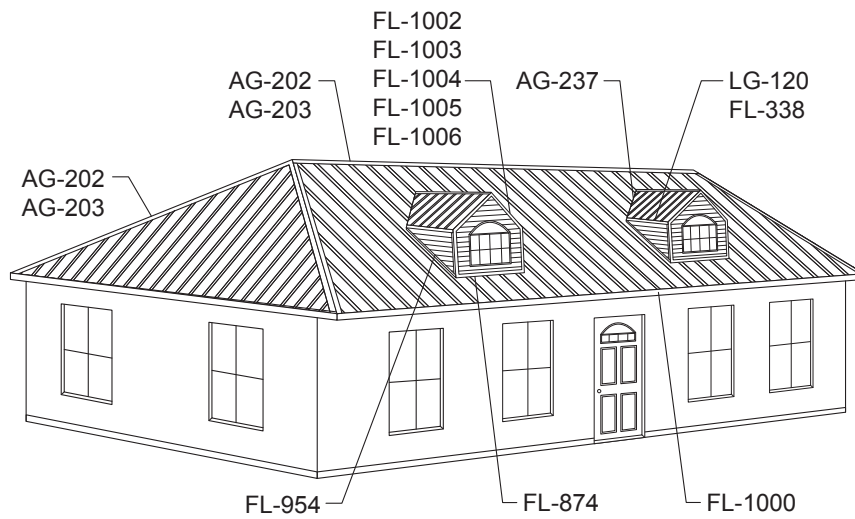
## 29-GAUGE COLORS

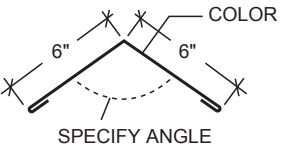
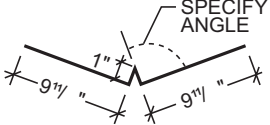
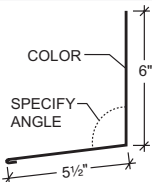
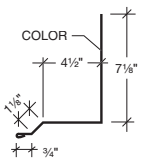
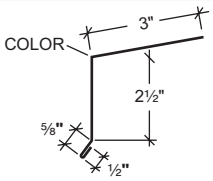
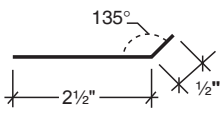
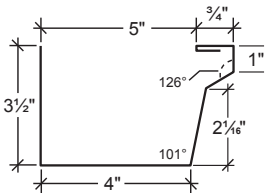
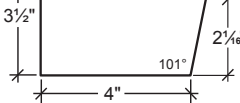
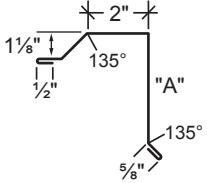
	COAL BLACK ★		LIGHT STONE# ★
	IVY GREEN# ★		DESERT SAND ★
	EVERGREEN		GRAY# ★
	COBALT BLUE ★		SADDLE TAN# ★
	HAWAIIAN BLUE ★		REGAL WHITE# ★ SR .52 SRI 61
	BUCKSKIN ★		CLAY
	RUSTIC RED# ★		POLAR WHITE★ ★
	BURGUNDY ★		SOLAR WHITE** ★
	CHARCOAL GRAY# ★		VINTAGE WHITE
	BURNISHED SLATE ★		GALVALUME PLUS# ★
	KOKO BROWN# ★		

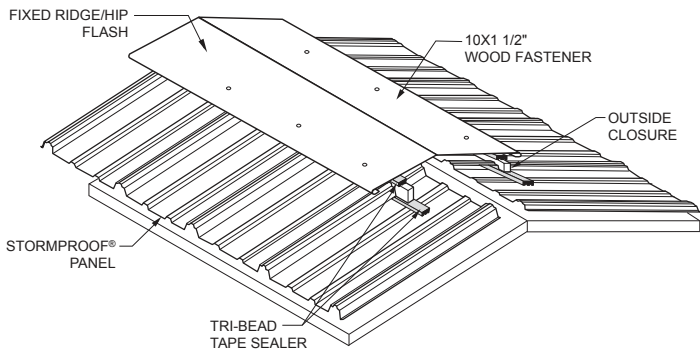
★ ENERGY STAR APPROVED THROUGH OUR PARTNER, MBCI

# Also available in 26-Gauge  
\*\* Minimum quantities and/or extended lead times may be required

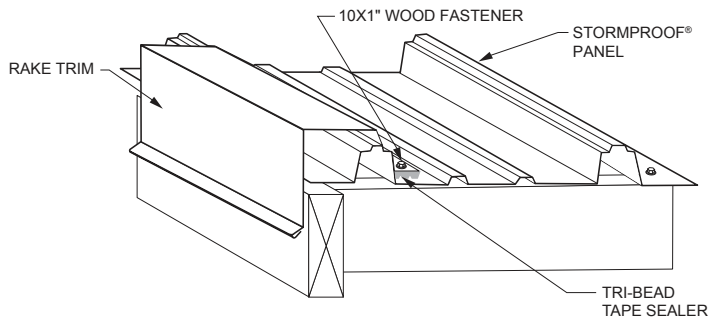
STORMPROOF®



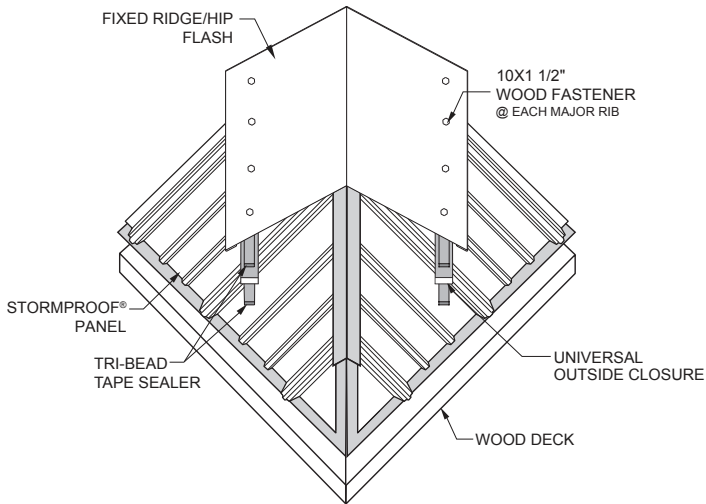
ITEM	PART #	SLOPE	DIM "A"	LENGTH	GIRTH	GAUGE
<b>Ridge/Hip Flash</b> 	AG-202		N/A	10'-2"	13"	26 GA
	AG-203			20'-2"	13"	26 GA
NOTE: Specify roof slope and if using for ridge or hip						
<b>Standard Valley</b> 	AG-237		N/A	10'-2"	20 3/8"	26 GA
NOTE: Specify roof slope						
<b>Parapet High Eave Trim</b> 	FL-874		N/A	10'-2"	12"	26 GA
NOTE: Specify roof slope						
<b>Parapet Rake</b> 	FL-954		N/A	10' - 2"	14"	26 GA
<b>Eave Trim</b> 	LG-120		N/A	10'-6"		29 GA
NOTE: Specify roof slope · Specify open hem if using continuous cleat						
<b>Continuous Cleat</b> 	FL-338		N/A	10'-2"	3"	24 GA
<b>Gutter</b> 	FL-1000		N/A	10'-2"	12 9/16"	24, 26 & 29 GA
<b>Gutter End</b> (right or left) 	FL-1001		N/A	N/A	N/A	24, 26 & 29 GA
<b>Rake</b> 	FL-1002	3-4 : 12	3 3/16"	10'-2"	8 11/16"	26 & 29 GA
	FL-1003	5-6 : 12	3 1/16"	10'-2"	8 9/16"	26 & 29 GA
	FL-1004	7 : 12	2 15/16"	10'-2"	8 7/16"	26 & 29 GA
	FL-1005	8-9 : 12	2 13/16"	10'-2"	8 5/16"	26 & 29 GA
	FL-1006	10 : 12	2 11/16"	10'-2"	8 3/16"	26 & 29 GA
NOTE: Specify open hem if using continuous cleat						



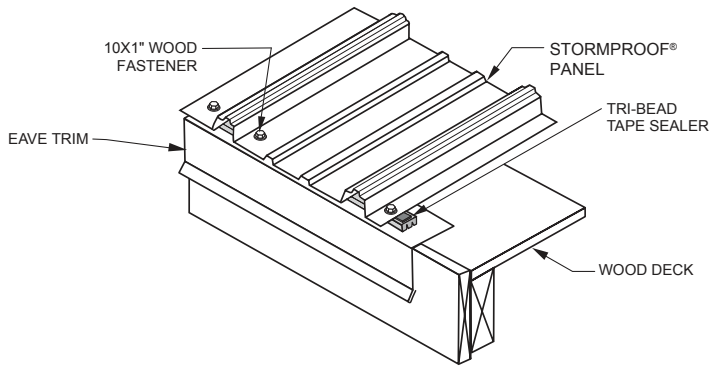
RIDGE



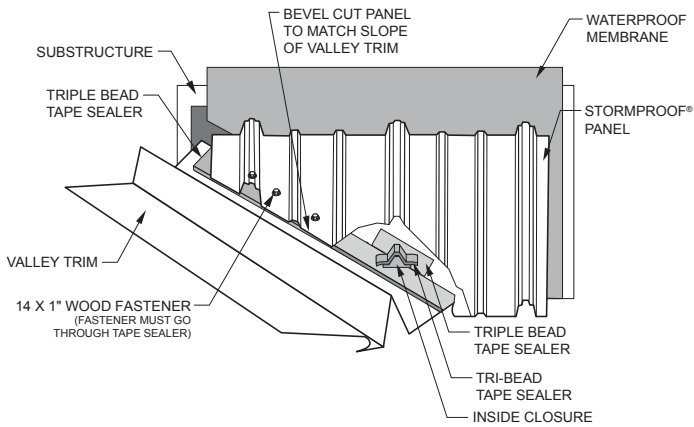
RAKE



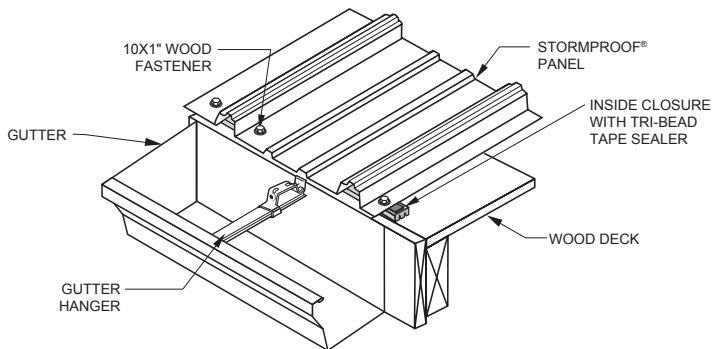
HIP



EAVE TRIM




VALLEY



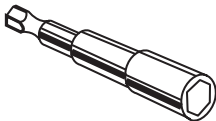
GUTTER

### Touch-Up Paint



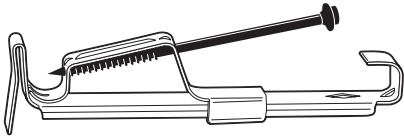
PART #	TYPE	SIZE
HW-304	Signature® 200	2 oz.
HW-305	Signature® 300	2 oz.

### Magnetic Sockets



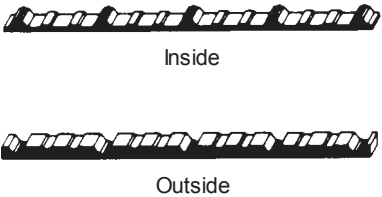
PART #	SIZE
HW-604	3/8" Hex Drive
HW-605	5/16" Hex Drive
HW-606	1/4" Hex Drive

### Gutter Hanger



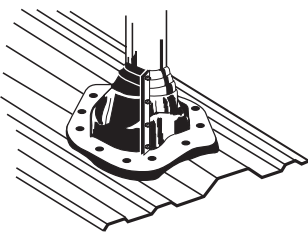
PART #
HW-339

### Stormproof® Closure Strips



PART #	TYPE	ADHESIVE	SIZE
HW-472	Inside	No	1" x 3'-0"
HW-473	Outside	Yes	1" x 3'-0"

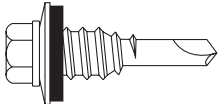
### Rubber Roof Jack



PART #	TEMP. RANGE	PIPE SIZE	BASE DIM	WEIGHT EACH
HW-1000	-65°F to +212°F	1/4" - 2"	4 1/2"	.17#
HW-1001	-65°F to +212°F	1/4" - 5"	8"	.50#
HW-1002	-65°F to +212°F	4" - 7"	11"	.95#
HW-1003	-65°F to +212°F	6" - 11"	14"	1.55#
HW-1004	-65°F to +212°F	7" - 13"	17"	2.56#
HIGH TEMPERATURE				
HW-1046	-100°F to +437°F	1/4" - 5"	8"	.50#
HW-1047	-100°F to +437°F	4" - 7"	11"	.95#
HW-1048	-100°F to +437°F	7" - 13"	17"	2.56#
HW-1049	-100°F to +437°F	10" - 18"	25"	3.86#

### Self-Driller Lap-Tek


250 Per Bag



PART #	HEAD SIZE	LENGTH
4A	5/16"	14 x 7/8"

### Long Life Wood Fastener

250 Per Bag




\*Other sizes available. Please inquire.

PART #	HEAD SIZE	LENGTH
9A	5/16"	10 x 1"
9	5/16"	10 x 1 1/2"

### Pop Rivet

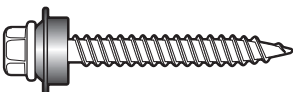
250 Per Bag | Stainless Steel



PART #	DIAMETER	GRIP RANGE
14	1/8"	3/16"

### Wood Fastener

250 Per Bag

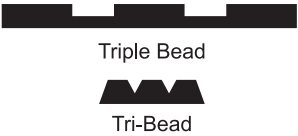


\*Other sizes available. Please inquire.

PART #	HEAD SIZE	LENGTH
8A	1/4"	10 x 1"
8	1/4"	10 x 1 1/2"
8B	1/4"	10 x 2"
8C	1/4"	10 x 2 1/2"

PART #	HEAD SIZE	LENGTH
9A	5/16"	10 x 1"
9	5/16"	10 x 1 1/2"

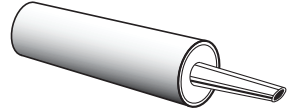
### Tape Sealer



PART #	GENERAL	LENGTH
HW-502	2 1/2" x 3/16"	20'-0"
HW-504	7/8" x 3/16"	25'-0"

### Tube Sealant

NOTE: 25' per tube at 1/4" bead



PART #	TYPE	COLOR
HW-548	Acrylic	White
HW-550	Acrylic	Gray
HW-540	Urethane	White
HW-541	Urethane	Gray
HW-542	Urethane	Bronze
HW-544	Urethane	Almond



Call or visit us online or in the store nearest you to meet with a project expert to learn more about our product offerings.

www.metaldepots.com