



TRA SNOW & SUN
ROOF ACCESSORY SYSTEMS

Snow Retention
Questions? Call Us!
1-800-606-8980

07 72 53
STANDING SEAM SNOW FENCE

STANDING SEAM SNOW

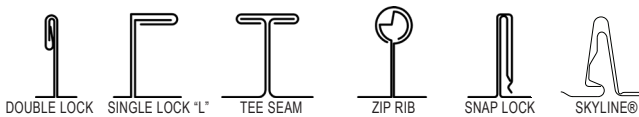
SNOW RETENTION




STRONG | SAFE | RELIABLE

PRODUCT HIGHLIGHTS

- Clamp-ons are designed to work with virtually **any seam type**



- Easy-to-install
- **Does not penetrate** standing seam panel
- Does not restrict thermal expansion/contraction of the panel
- Firmly **attaches under the hem** to provide superior strength
- Secured with a bolt system to **eliminate sliding, detaching and thread stripping**
- Available in a **one, two** or **three** pipe system
- Two layers of rust protection (zinc plated and powder coated)
- Powder coated for durability and protection from the elements
- Available in standard or custom colors to match panel/roofing color
- **Engineered system**
- Custom layouts provided
- **Manufactured in the USA** 



TRA SNOW & SUN
ROOF ACCESSORY SYSTEMS

Manufactured by © TRA Snow and Sun, Inc., 2020

www.trasnowandsun.com



TRA SNOW & SUN
ROOF ACCESSORY SYSTEMS

Snow Retention
Questions? Call Us!
1-800-606-8980

SNOW RETENTION

STANDING SEAM SNOW

The Clamp-on Snow Fence by TRA Snow and Sun fits many roof profiles using a safe, reliable and attractive design. Our exclusive attachment system, using under-the-hem clamping and bolting, provides superior strength. Its attractive appearance and proven performance make these Snow Fences ideal for all standing seam projects.



PRODUCT INFORMATION

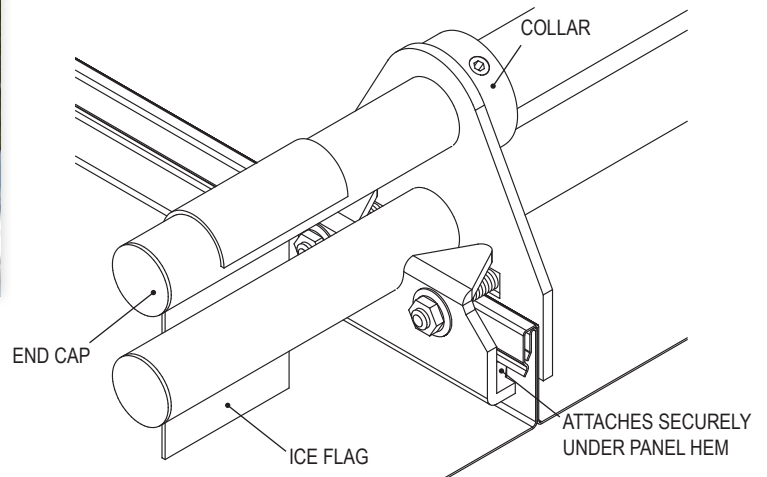
DESCRIPTION:

- STANDING SEAM SNOW FENCE:
 - One rail system
 - Two rail system
- PIPE:
 - 10' sections
 - 3/4" Pipe (1"OD)
- UNIONS:
 - Connect pipe lengths
- END CAPS:
 - Seal open end of pipe
- COLLARS:
 - Prevent horizontal movement and pipe separation
- ICE FLAGS:
 - Reduce snow and ice sliding under pipe

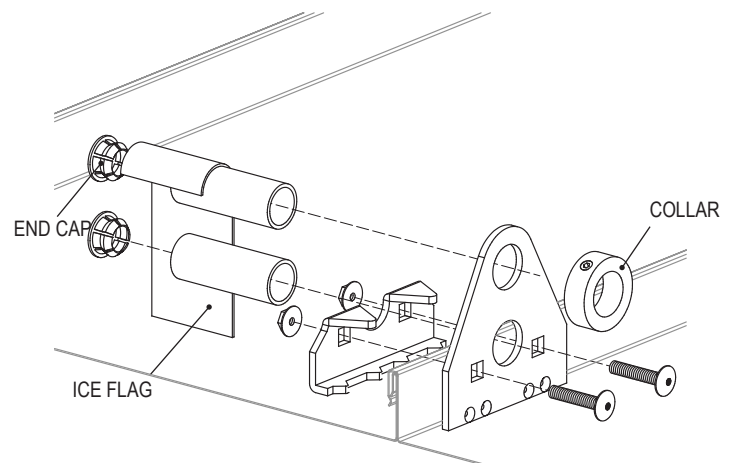
MATERIALS/FINISHES:

- Steel: 3/16" (ASTM A36)
- Copper: 1/4" (ASTM B124)
- Aluminum: 1/4" (ASTM B308 6061)
- Cor-Ten®: 3/16" (ASTM A606)
- Powder Coated Steel

C22Z STANDING SEAM SNOW FENCE ASSEMBLY



EXPLODED VIEW



TRA SNOW & SUN
ROOF ACCESSORY SYSTEMS

Manufactured by © TRA Snow and Sun, Inc., 2020

www.trasnowandsun.com

SNOW RETENTION

DECK MOUNT SNOW FENCE

PRODUCT HIGHLIGHTS

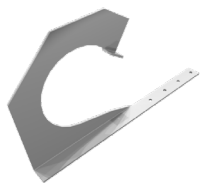
- Heavy Duty
- Custom Designs
- Up to 18" High
- Up to 4 rails
- Timber/Log designs available
- Made in the USA
- Made from recycled material
- Zinc plated for rust protection
- Superior Strength
- Available for new construction and retrofit
- Engineered layouts available for free



STRONG | SAFE | RELIABLE

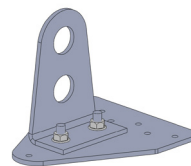
Deck Mount Snow Fences are heavy-duty snow retention devices that provide continuous protection using rails, bars or pipes. These fences must be attached into the framing members of the roof (typically rafters or trusses). Deck Mount Snow Fences are used for a few reasons:

1. Increased height is needed for avalanching protection.
2. They are preferred aesthetically.
3. When pipes, rails or bars are preferred to provide continuous protection.



D-Log Deck Mount

Used on: All types of sloped roofs when mounting to the deck/surface.
Log Size 6" or 8"



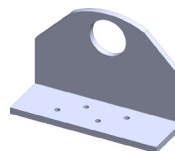
C-2 Single Ply - 1 or 2 rail system

Used on: EPDM, TPO and similar roofing materials.
Height varies based on number of rails.



D-Timber Deck Mount

Used on: All types of sloped roofs when mounting to the deck/surface.
Timber Size 4"x4", 6"x6", 8"x8", or 12"x12"



Snow Blocker – 1 or 2 rail system

Used on: Exposed fastener metal panel roofs.
Height varies based on number of rails.

NOTE: The systems must be designed for use with a wood framed truss system.





TRA SNOW & SUN
ROOF ACCESSORY SYSTEMS

Snow Retention
Questions? Call Us!
1-800-606-8980

SNOW RETENTION

DECK MOUNT SNOW FENCE

There are many different roof types which in turn means many different Deck Mount Snow Fences. TRA Snow and Sun knows how important it is to have the proper snow fence for each application. That is why we have a variety of styles and design each system free of charge.

Used on: Asphalt Shingles, Cedar Shingles, Flat Seam Metal, Granule Metal, Metal Panel, Slate, Simulated Slate, Tile Roofs, and Wood Shakes.



D-1 Deck Mount - 1 rail system
Height 4 5/8" | Standard or extended available



D-2HH Deck Mount - 2 rail system (2 high)
Height 12" | Standard or extended available



D-2HL Deck Mount - 2 rail system (1 high, 1 low)
Height 8 1/2" | Standard or extended available



D-3H Deck Mount - 3 rail system
Height 12" | Standard or extended available



D-4H Deck Mount - 4 rail system
Height 12" | Standard or extended available

NOTE: The systems must be designed for use with a wood framed truss system.



T-1 Tile Mount - 1 to 3 rail systems available
Used on: Tile Roofs – Easily modified to fit all tile types. Specify if using a batten or counter batten system.
Height 12"



R-1 Rafter Mount - 1 to 3 rail systems available
Used on: All types of sloped roof systems. Designed to attach to the sides of a rafter.
Height 22 1/2 x 24 1/2"

NOTE: When using a T-1 or R-1 Tile Mount always include Snow Brackets™ to avoid tile from breaking.



PRODUCT INFORMATION

DESCRIPTION:

- DECK MOUNT SEAM SNOW FENCE:
 - One rail system
 - Two rail system
 - Three rail system
 - Four rail system
- PIPE:
 - 10' sections
 - 1" Pipe (1.315"OD)
- UNIONS:
 - Connect pipe lengths
- END CAPS:
 - Seal open end of pipe
- COLLARS:
 - Prevent horizontal movement and pipe separation
- ICE FLAGS:
 - Reduce snow and ice sliding under pipe

MATERIALS:

- Steel: 1/4" (ASTM A36)
- Copper: 3/8" (ASTM B124)
- Cor-Ten®: 1/4" (ASTM A606)

COLORS/FINISHES:

- Raw steel
- Electrogalvanized steel
- Hot-dipped galvanized steel
- Mill finish Copper
- Mill finish Cor-Ten®
- Powder coating available in RAL Standard colors
- Visit our website to view color chart



TRA SNOW & SUN
ROOF ACCESSORY SYSTEMS

Manufactured by © TRA Snow and Sun, Inc., 2020

www.trasnowandsun.com



TRA SNOW & SUN
ROOF ACCESSORY SYSTEMS

Snow Retention
Questions? Call Us!
1-800-606-8980

SNOW RETENTION

07 72 53
SNOW BRACKET SNOW GUARD

SNOW BRACKET / SNOW GUARDS

TRA Snow and Sun Snow Brackets™ (AKA snow guards or snow clips) are engineered with a safety factor determined by when the entire system fails, not just when the Bracket fails. Many other competitors will tell you they “engineer” their products when all they do is test their device. But we test the entire system to find the fail point, then provide you with a layout designed for your unique project that is safe, strong and reliable.

SO LET IT SNOW!



ASPHALT SHINGLE



TILE



CORRUGATED METAL



SLATE AND MORE

**WITHOUT
SNOW BRACKETS!**



PRODUCT HIGHLIGHTS

- Snow Brackets™ - available for **every roof type**
- **Superior Strength - tested** from the sheathing up in the field and in our testing facility
- Most reliable system on the market
- Easily installed on **existing and new construction**
- Made from **recycled** material
- **Engineered layouts** and technical support are absolutely free
- Local representatives in your area
- **Manufactured in the USA**
- Innovative creativity and custom designs
- Many products in stock
- Quick turn-around for custom jobs
- We fabricate and test **custom** Snow Brackets™ to specifications



TRA SNOW & SUN
ROOF ACCESSORY SYSTEMS

Manufactured by © TRA Snow and Sun, Inc., 2020

www.trasnowandsun.com

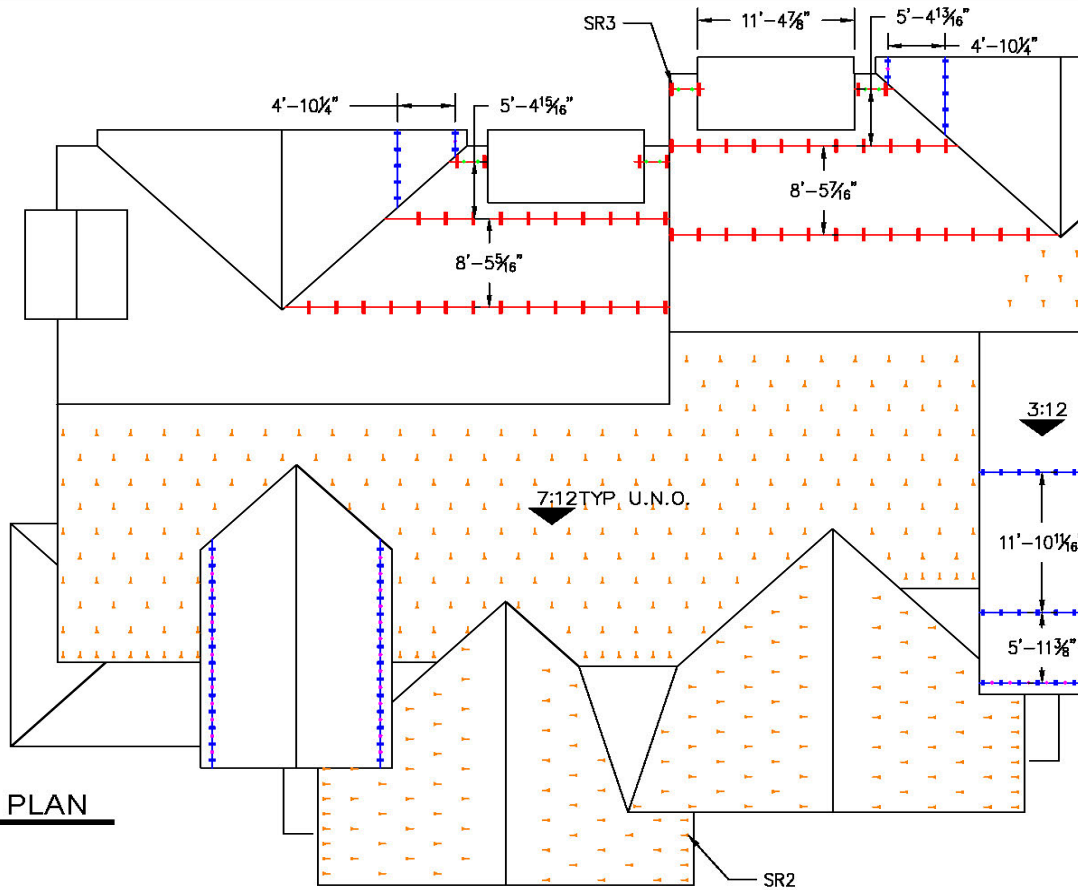


ENGINEERED SNOW RETENTION SOLUTIONS

PLAN LEGEND

SNOW RETENTION

- CLAMP ON SNOW FENCE
- SNOW FENCE DECK MOUNT
- ICE FLAG
- SNOW BRACKET
- EXPANSION JOINT



1 SNOW RETENTION PLAN
3/32" = 1'-0"

WARRANTY STAMP



DRAWN BY: JC
APPROVED: CHK'D

CP1.0

PROJECT NOTES

BRACKET TYPE:	APEX D
BRACKETS/SQ	17.3 BPS
EST. NO. ROOFING SQ	26.0
DECK SHEATHING:	5/8" OSB
FENCE TYPE:	C22 / D2HL
MOUNT SPACING:	16" O.C. / 24" O.C.
MAT'L COLOR	STEEL
ROOFING MAT'L	STD SEAM / SHINGLES
SPACING/WIDTH:	16" HORZ / 5 5/8" VERT / 24" HORZ
RIB HEIGHT:	TBD
ROOF SLOPES	3:12, 7:12
GROUND SNOW LOAD:	175 PSF

KEY NOTES

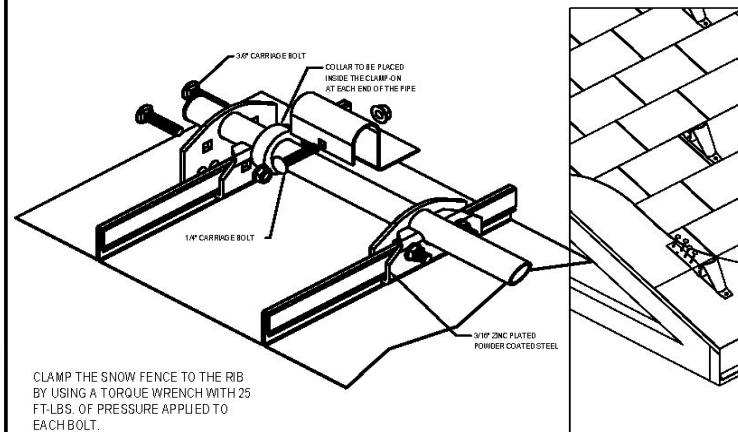
- ALL C22 SNOW FENCE EAVE COURSES TO BE INSTALLED 12" FROM EAVE U.N.O.
- ALL APEX D SNOW BRACKET EAVE COURSES TO BE INSTALLED 5 5/8" FROM EAVE U.N.O.
- ALL D2HL SNOW FENCE EAVE COURSES TO BE INSTALLED 18" FROM EAVE U.N.O.

GENERAL NOTES

SNOW RETENTION

- Snow Bracket / Snow Fence layout has been engineered for this specific roof application. Any deviation from the prescribed layout will void the product or system warranty.
- Install Snow Brackets / Snow Fence per specifications and details provided by TRA Snow and Sun. Installer is responsible for the correct installation of all snow retention system components.
- Installer shall check existing job site conditions and dimensions prior to installation. Installer shall report any discrepancies or conflicts to TRA Snow and Sun prior to commencing work.
- Drawings and quotes are based upon information provided by the customer to TRA Snow and Sun. TRA Snow and Sun is not liable for any information that is found to be incorrect or false.
- Any snow bracket quantity shown is for estimating purposes only and is based on the calculated number of snow brackets per roofing square. Installer is responsible to verify proper snow bracket quantity based on actual number of roofing squares.
- All structures are to be checked for code compliance by the customer.

PRODUCT DETAIL



CLAMP THE SNOW FENCE TO THE RIB BY USING A TORQUE WRENCH WITH 25 FT-LBS. OF PRESSURE APPLIED TO EACH BOLT.

2 C21 SNOW FENCE INSTALL DETAIL
NO SCALE

APEX BRACKET ASPHALT SHINGLE F

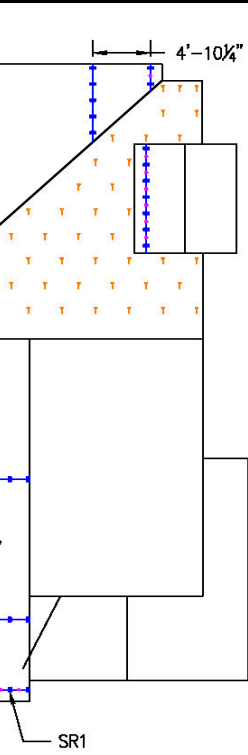
3 APEX D SN
NO SCALE



TRA SNOW & SUN
 ROOF ACCESSORY SYSTEMS
 Manufactured by © TRA Snow and Sun, Inc., 2018
www.trasnowandsun.com

Snow Retention
 Questions? Call Us!
 1-800-606-8980

SNOW RETENTION

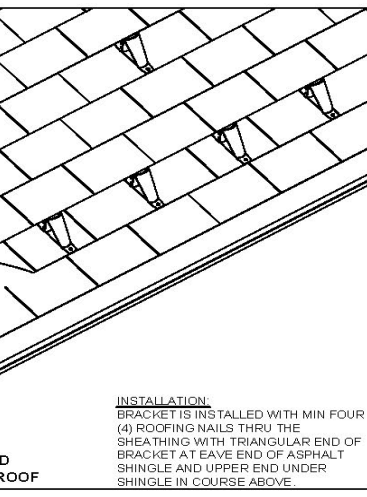


SNOW RETENTION PART SCHEDULE	
PART / DESC	QTY
APEX D SNOW BRACKET	450
C22 CLAMP-ON	84
3/4" SNOW FENCE PIPE L=10'	21
3/4" CAPS/COLLARS	48
D2HL DECK MOUNT	60
1" SNOW FENCE PIPE L=10'	23
1" CAPS/COLLARS	32
*RECOMMENDED PART SCHEDULE	
PART / DESC	QTY
ICE FLAG (1 @ EACH SPACE) C22	44
ICE FLAG (2 @ EACH SPACE) D2HL	8
*TRA RECOMMENDS THE USE OF ICE FLAGS FOR ROOFS WITH A SLOPE UNDER 2:12, A SEAM PROFILE OF 1" OR GREATER, AND SNOW LOADS OF 30 PSF OR LESS. RECOMMENDED TO BE INSTALLED ON EAVE COURSES.	

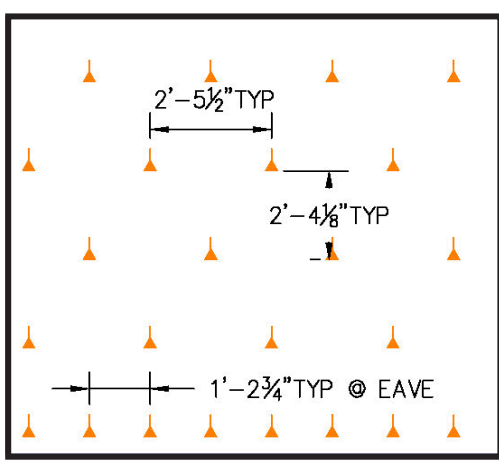
TRA SNOW & SUN
 ROOF ACCESSORY SYSTEMS
 1657 South 580 East American Fork, UT, 84003
 Ph: 801.756.8666 | Fx: 801.756.7891 | trasnowandsun.com

REVISIONS		
REV#	DATE	DESCRIPTION
00	7/5/19	RELEASED FOR ESTIMATION
01	10/17/19	ADDED D2HL FENCE

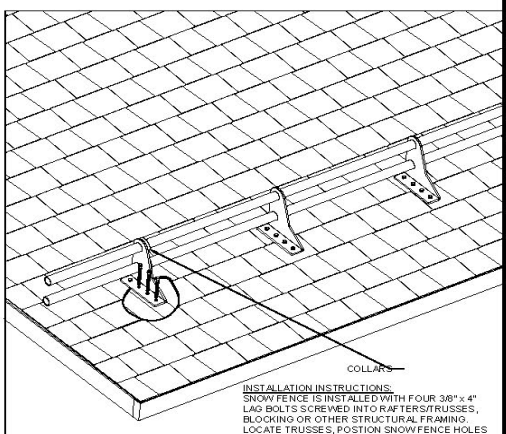
DISCLAIMER: These drawings are the property of TRA Snow and Sun and any reuse or further distribution thereof in part or in whole without written consent from TRA Snow and Sun is prohibited. Drafter is not an architect or engineer.



INSTALLATION:
 BRACKET IS INSTALLED WITH MIN FOUR (4) ROOFING NAILS THRU THE SHEATHING WITH TRIANGULAR END OF BRACKET AT EAVE END OF ASPHALT SHINGLE AND UPPER END UNDER SHINGLE IN COURSE ABOVE.



4 APEX D SNOW BRACKET LAYOUT
 1/4" = 1'-0" 17.3 BPS 7:12 SLOPE



INSTALLATION INSTRUCTIONS:
 SNOW FENCE IS INSTALLED WITH FOUR 3/8" x 4" LAG BOLTS SCREWED INTO RAFTER/TRUSSES, BLOCKING OR OTHER STRUCTURAL FRAMING. LOCATE TRUSSES, POSITION SNOW FENCE HOLES DIRECTLY OVER CENTER OF TRUSS. PRE-DRILL HOLES TO A DEPTH OF 4" USING A 1/4" DRILL BIT. WE ADVISE PLACING SOME TYPE OF CAULKING OR SEALANT IN THE LOCATION OF THE HOLES BEFORE INSTALLING LAGS.

5 D2HL DECK MOUNT INSTALL DETAIL
 NO SCALE



Snow Retention
Questions? Call Us!
1-800-606-8980

SNOW RETENTION

Strong, safe and reliable. Our Snow Retention Solutions create the ideal solution to protect people and property by using tested products and a fully engineered system.

“TRA has been great to work with. They have a lot of flexibility. If we need something custom they’re right there to answer and to work with. Overall, we’re very happy.”

-BROCK WHITE CONSTRUCTION MATERIALS

SERVICE

- **Free warranted designs** and technical support
- Innovative, creative and custom designs
- Many products in stock
- Quick turn-around for custom jobs
- Fabricate and test custom products to specifications
- **Made in the USA**



SNOW GUARD BRACKETS



QUALITY

- Products available for nearly every roof type
- **Superior strength** tested from the sheathing up in the field and in our testing facility
- Most reliable system on the market
- Easily installed on existing and new construction
- Made from recycled material
- **Maintains your roof warranty**
- Many components come pre-assembled
- Simple installation



TRA SNOW & SUN
ROOF ACCESSORY SYSTEMS

Manufactured by © TRA Snow and Sun, Inc., 2020

www.trasnowandsun.com