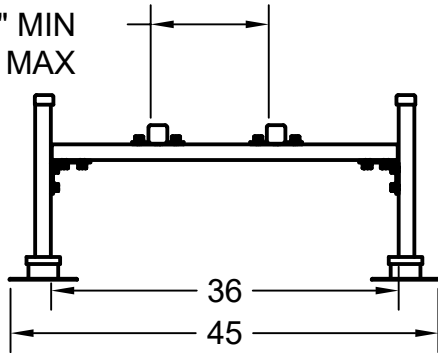


# TITLE KNUCKLEHEAD HEIGHT ADJUSTABLE MECHANICAL SUPPORT

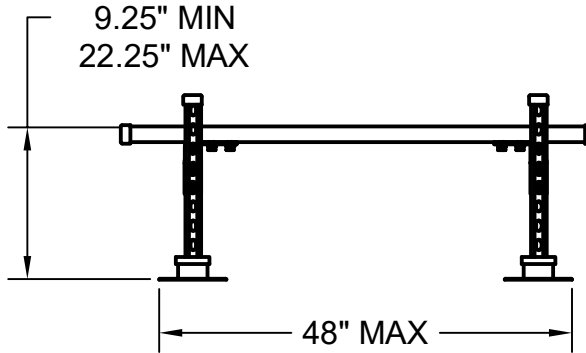


ADJUSTABLE  
5.5" MIN  
30" MAX



FRONT VIEW

ADJUSTABLE  
9.25" MIN  
22.25" MAX



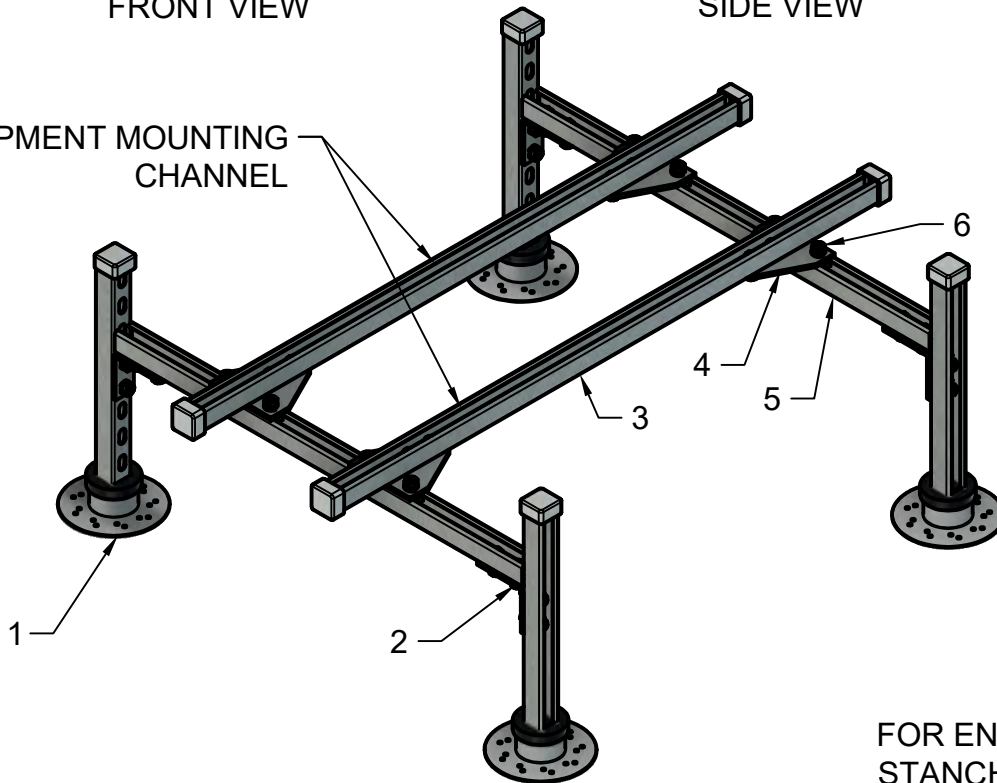
SIDE VIEW

ITEM QTY		PARTS LIST DESCRIPTION
1	4	STANCHION X 2' HIGH
2	4	4 HOLE 90° CORNER
3	2	STRUT CHANNEL X 4'
4	4	FLAT PLATE CONNECTOR
5	2	STRUT CHANNEL X 3'
6	36	SCREW_NUT_WASHER

### PRODUCT OVERVIEW AND SUGGESTED USAGE

- GreenLink's Heavy Duty Mechanical Support System is designed to protect the roofing system from rooftop equipment. This system safely supports and attaches rooftop equipment to the building envelope. This system is height and Width Adjustable. Length is set.
- Two methods of support are available: Loose Laid and Mechanically Attached. Anchored solution provides adequate protection to wind and seismic events. Please see Green Link for Mechanically anchored method using Green Link's structural adhesive
- Each Base is rated to 600 pounds of Load and Uplift, 300 foot-pounds of Torque. Please review the limitation of the roofing system for maximum allowable compression.

EQUIPMENT MOUNTING CHANNEL



### Available Accessories

- **Big Base** - increases support pad footprint from Standard (7" OD) to Oversizes (12") for increased load bearing capability.
- **KnucklePad** - Anti vibratory pad provides vibration attenuation of equipment
- **GreenLink Adhesive and Mechanical Fasteners** : Engage the roofing deck or recovery board for anchoring using #10 fastener. Structural Adhesive/Sealant completes the mechanical application.

FOR ENGINEERING DATA, PLEASE SEE KNUCKLEHEAD STANCHION FOR PERMISSIBLE AXIAL AND SIDE LOADS.



5519 E CORK ST  
KALAMAZOO  
MICHIGAN 49048

888-672-9897 // [greenlinkengineering.com](http://greenlinkengineering.com)

APPROVED

CHECKED

DRAWN

Angela Peck

5/19/2020

SIZE

A

CODE

DWG NO

REV

SCALE 1:20

WEIGHT

SHEET 1/1