



# RESIDENTIAL ROOFING GUIDE

2018-2019

The One-Stop Guide To North America's #1-Selling Roofing Products

*[gaf.com](http://gaf.com)*

Find  
Your  
Color

Find  
Your  
Style

Protect What You Value Most





## GAF Lifetime\* Roofing System 2-45

Timberline® Lifetime Shingles	6-21
Timberline Ultra HD®	10
Timberline HD®	12
Timberline® American Harvest®	16
Timberline® Natural Shadow®	18
Timberline® Cool Series®	20
Lifetime Designer Shingles	22-35
Ultra-Premium Collection	24-29
Glenwood®	24
Camelot®	26
Grand Canyon®	28
Value Collection	30-35
Camelot® II	30
Woodland®	32
Sienna®	32
Grand Sequoia®	34
Slateline®	34
SBS Modified IR Shingles	36-37
Grand Sequoia® ArmorShield™	36
Timberline® ArmorShield™ II	36
Lifetime Roofing System Accessories	38-45
Ridge Cap Shingles	38
Roof Deck Protection	40
Leak Barriers	42
Eave/Rake Starter Strips	43
Cobra® Attic Ventilation	44

## Other GAF Roofing Products 46-53

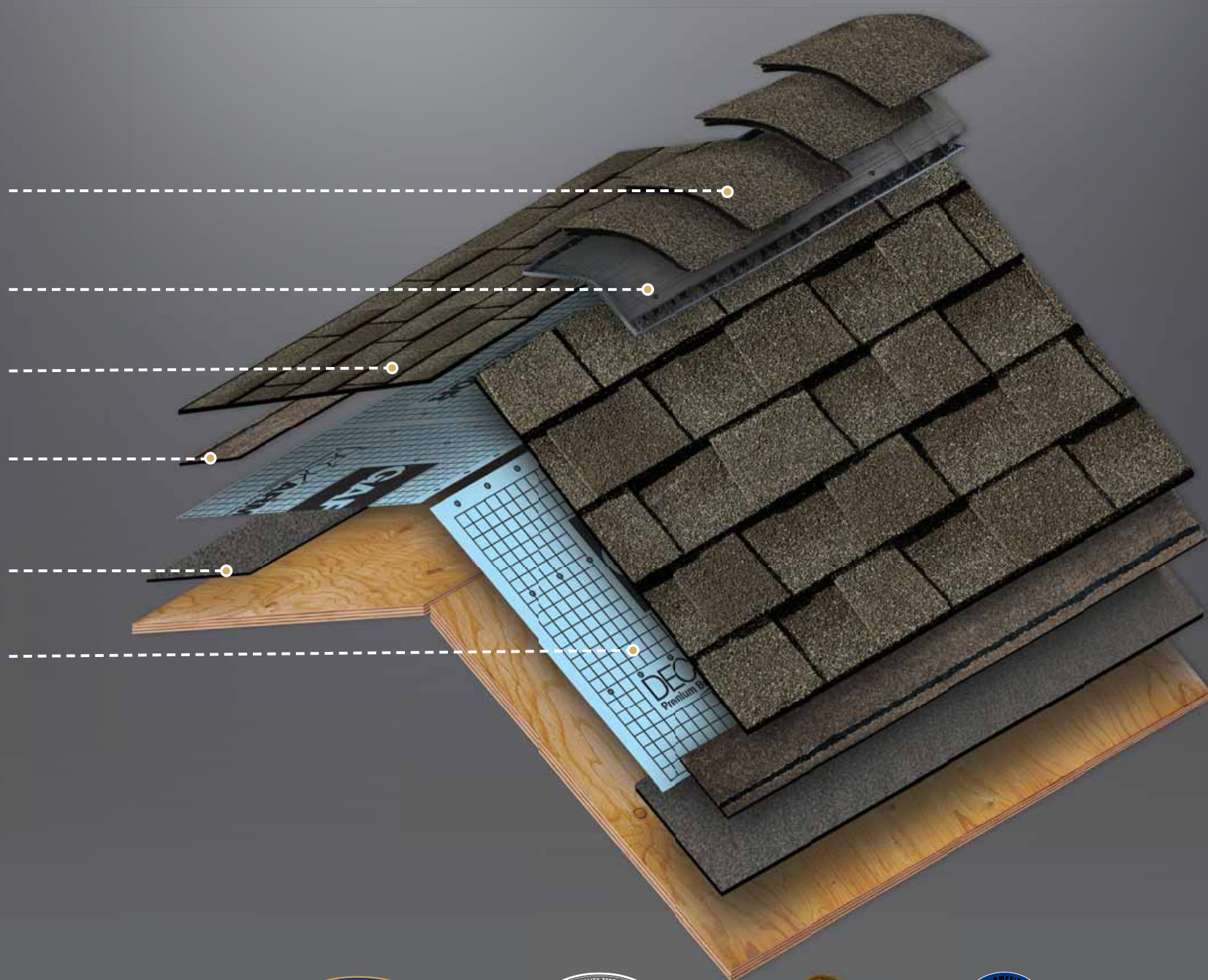
Three-Tab Shingles	46
Master Flow® Ventilation Products	48
LIBERTY™ Low-Slope Roofing	49
Masonex™ Clear Masonry Sealer	49
WeatherSide™ Fiber-Cement Siding	49
ShingleMatch™ Roof Accessory Paint	49
Shingle Specifications	50
TruSlate® Genuine Slate Roofing	52
Exploring Color And Style	54
GAF Timeline	58

# GAF® LIFETIME\* ROOFING SYSTEM

When you install any GAF Lifetime Shingle and at least 3 qualifying GAF accessories, you'll automatically get a Lifetime Ltd. warranty on your shingles and all qualifying GAF accessories.\*

- Page 38-39  **Ridge Cap Shingles**  
The finishing touch that helps defend against leaks at the hips and ridges
- Page 44-45  **Cobra® Attic Ventilation**  
Helps reduce attic moisture and heat
- Page 6-37  **Lifetime Shingles\***  
Beautify & protect for years to come
- Page 43  **Starter Strip Shingles**  
Helps guard against shingle blow-offs
- Page 42  **Leak Barrier**  
Helps prevent leaks caused by wind-driven rain and ice dams
- Page 40-41  **Roof Deck Protection**  
Helps shield the roof deck from moisture infiltration

## Durable Protection. Lasting Beauty.



\*See GAF Shingle & Accessory Ltd. Warranty for complete coverage and restrictions. The word "Lifetime" refers to the length of coverage provided by the GAF Shingle & Accessory Ltd. Warranty and means as long as the original individual owner(s) of a single-family detached residence (or the second owner(s) in certain circumstances) owns the property where the shingles and accessories are installed. For owners/structures not meeting the above criteria, Lifetime coverage is not applicable. Lifetime Ltd. warranty on accessories requires the use of at least three qualifying GAF accessories and the use of Lifetime Shingles.



To learn more about why Advanced Protection® Shingles are your best choice, visit [gaf.com/APS/](http://gaf.com/APS/).



The GAF Lifetime Roofing System has earned the prestigious Good Housekeeping Seal (applicable in U.S. only).

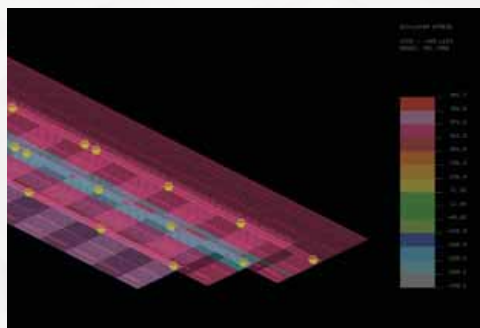




# Advanced Protection®

State-of-the-art technology helped us design our Advanced Protection® Shingles.

Test models similar to those used in America's space program, combined with some of the hardest minerals found on Earth, help GAF Advanced Protection® Shingles perform and protect like nothing else. No one makes a better asphalt shingle for toughness, flexibility, and heroic resistance to wind, weather, and fire. Plus, their advanced design requires fewer natural resources to manufacture and transport.

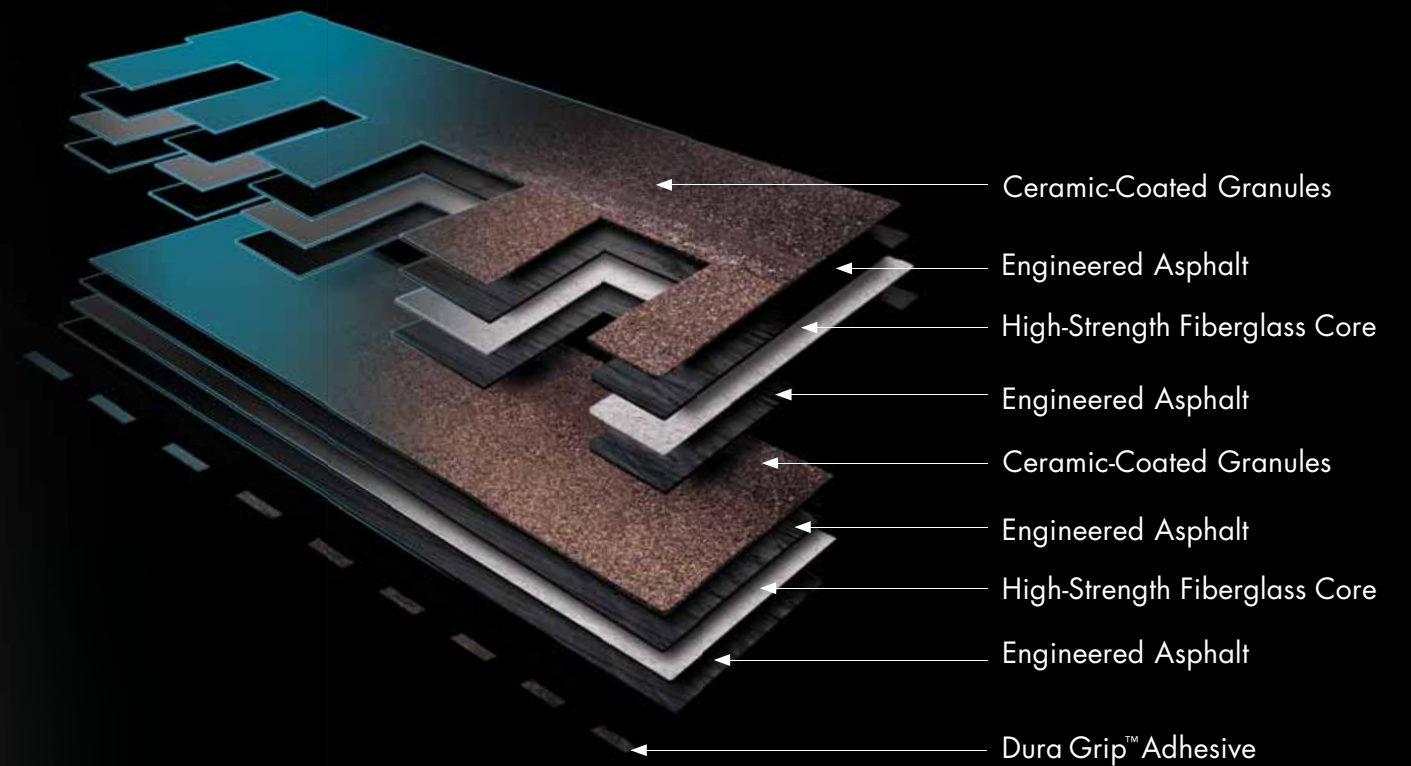


Sophisticated computer models (similar to those used to test the space shuttle) help predict long-term stresses at 10,000 points on GAF Shingles.

To learn more about **Advanced Protection®** Shingles, visit [gaf.com/APS/](http://gaf.com/APS/)



Engineered layer by layer for maximum durability.



## Advanced Protection® Shingles: the inside story.



**Tough to the core.** The high-strength fiberglass core at the heart of the system uses GAF proprietary low-profile technology for a shingle with extraordinary durability.

**Engineered with you in mind.** Unique asphalt formulations for every plant, plus custom adhesives designed to stand up to the specific climate challenges in your area, including temperature extremes from Arizona to Alaska.

**Protection on top of protection.** Ceramic-coated granules, made from some of the hardest minerals on Earth, protect against UV damage while providing vivid color that will stand the test of time.



# Timberline®

North America's  
#1-Selling Roof

- Timberline Ultra HD® 10
- Timberline HD® 12
- Timberline® American Harvest® 16
- Timberline® Natural Shadow® 18
- Timberline® Cool Series® 20



U.S. only



Timberline® Shingles.

Protecting what you value most.



\*StainGuard® algae protection and 10-year limited warranty against blue-green algae discoloration available only on shingles sold in packages bearing the StainGuard® logo. See *GAF Shingle and Accessory Ltd. Warranty* for complete coverage and restrictions.

\*\*StainGuard Plus™ Time-Release Technology and 25-year limited warranty against blue-green algae discoloration available only on Timberline Ultra HD® Shingles sold in packages bearing the StainGuard Plus™ logo. Does not apply to Timberline Ultra HD® Reflector Series™ Shingles. See *GAF Shingle and Accessory Ltd. Warranty* for complete coverage and restrictions.



# Install Peace Of Mind

Whether you install the ultra-dimensional Timberline Ultra HD® Shingles or the ever-popular Timberline HD® Shingles, you'll be getting all the benefits that only a genuine Timberline® roof can provide!



U.S. only



<sup>1</sup>StainGuard® algae protection and 10-year limited warranty against blue-green algae discoloration available only on shingles sold in packages bearing the StainGuard® logo. See *GAF Shingle and Accessory Ltd. Warranty* for complete coverage and restrictions.

<sup>2</sup>StainGuard Plus™ Time-Release Technology and 25-year limited warranty against blue-green algae discoloration available only on Timberline Ultra HD® Shingles sold in packages bearing the StainGuard Plus™ logo. Does not apply to Timberline Ultra HD® Reflector Series™ Shingles. See *GAF Shingle and Accessory Ltd. Warranty* for complete coverage and restrictions.

<sup>3</sup>See *GAF Shingle & Accessory Ltd. Warranty* for complete coverage and restrictions. The word "Lifetime" refers to the length of coverage provided by the *GAF Shingle & Accessory Ltd. Warranty* and means as long as the original individual owner(s) of a single-family detached residence (or the second owner(s) in certain circumstances) owns the property where the shingles are installed. For owners/structures not meeting the above criteria, Lifetime coverage is not applicable.

<sup>4</sup>Timberline® High Definition® Shingles have earned the prestigious Good Housekeeping Seal (applicable in U.S. only).

<sup>5</sup>Based on a 2014 survey of U.S. homeowners commissioned by GAF comparing the appearance of two popular Timberline® High Definition® Shingle colors to the comparable colors of other leading brands.

<sup>6</sup>2013 National Association of REALTORS® survey commissioned by GAF of REALTOR® Appraisers and Non-Appraisers in the U.S.; response based on REALTOR® Appraisers that have had professional experience buying or selling a home with Timberline® Shingles in the three years preceding the survey and felt they could provide an estimated value increase for a home with a Timberline® roof as compared to a home with a basic three-tab shingle roof.



Weathered Wood

## Install To Protect.

When you install GAF Timberline® High Definition® Shingles with **Advanced Protection®** Shingle Technology, you're getting the very best combination of weight and performance that modern manufacturing technology can deliver. In fact, you won't find a shingle that surpasses Timberline® on:

- ✓ Toughness
- ✓ Wind uplift resistance
- ✓ Flexibility
- ✓ Fire resistance

That's why every Timberline® High Definition® Shingle comes with a GAF transferable Lifetime Ltd. warranty<sup>3</sup> — for your peace of mind! — plus the backing of the Good Housekeeping Seal.<sup>4</sup>

## Install To Invest.

Your roof can represent up to 40% of your home's "curb appeal." Timberline® High Definition® Shingles not only protect your most valuable asset but also beautify your home for years to come — and add to its resale value.

An independent research firm surveyed U.S. homeowners about the brand of architectural shingles they preferred based on appearance. The result: **more homeowners preferred the look of Timberline® High Definition® Shingles** to the other leading brands.<sup>5</sup>

In fact, according to a survey conducted by the National Association of REALTORS®, you can increase the value of your home by an average of 5% with a new Timberline® roof!<sup>6</sup>

So why settle for anything less than a genuine Timberline® roof?

<sup>5,6</sup> See footnotes on previous page

## Install To Impress.

Timberline® High Definition® Shingles are unlike any others, thanks to our proprietary shadow bands. Each shadow band is applied using a sophisticated, computer-controlled "feathering" technique. When combined with our randomly blended top layer, it results in a shingle with exceptional depth and dimension — **and a striking look unmatched by any other brand.**

But don't just take our word for it. See for yourself. When you compare Timberline® High Definition® Shingles to typical architectural shingles, it's easy to see why they'll look sharper and more beautiful on your roof — while enhancing the resale value of your home.

Whatever you're looking for, there's a Timberline® Shingle to fit your taste and your budget.



Color Shown:  
Charcoal



U.S. only

\*StainGuard Plus™ Time-Release Technology and 25-year limited warranty against blue-green algae discoloration available only on Timberline Ultra HD® Shingles sold in packages bearing the StainGuard Plus™ logo. Does not apply to Timberline Ultra HD® Reflector Series™ Shingles. See GAF Shingle and Accessory Ltd. Warranty for complete coverage and restrictions.

Note: It is difficult to reproduce the color clarity and actual color blends of these products. Before selecting your color, please ask to see several full-size shingles.



TIMBERLINE® LIFETIME SHINGLES — NORTH AMERICA'S #1-SELLING ROOF

## Your Best Investment For An **Ultra-Dimensional** Wood-Shake Look

- **Best Investment...** Just pennies-a-day more than standard architectural shingles.<sup>1</sup>
- **Ultra-Dimensional Look...** Up to 53% thicker than standard architectural shingles,<sup>1</sup> Timberline Ultra HD® Shingles feature GAF proprietary color blends and enhanced shadow effect for an ultra-dimensional wood-shake look on your roof.
- **Advanced Stain Resistance...** New patent-pending StainGuard Plus™ Time-Release Technology uses specially engineered capsules to release copper over time for long-lasting algae-fighting power.<sup>2</sup>
- **Highest Roofing Fire Rating...** UL Class A, Listed to ANSI/UL 790.
- **High Performance...** Designed with Advanced Protection® Shingle Technology, which reduces the use of natural resources while providing excellent protection for your home (visit [gaf.com/APS/](http://gaf.com/APS/) to learn more).
- **Stays In Place...** Dura Grip™ Adhesive seals each shingle tightly and reduces the risk of shingle blow-off. Shingles are warranted to withstand winds up to 130 mph (209 km/h).<sup>3</sup>
- **Peace Of Mind...** Lifetime Ltd. transferable warranty with Smart Choice® Protection (non-prorated material and installation labor coverage) for the first ten years.<sup>4</sup>
- **Perfect Finishing Touch...** Use Timbertex® Premium Ridge Cap Shingles or Ridglass® Premium Ridge Cap Shingles (visit [www.gaf.com/ridgecapavailability](http://www.gaf.com/ridgecapavailability) for availability in your area).

<sup>1</sup> Note: Comparison refers to Timberline HD® Shingles. Thickness varies by plant; see actual shingles for comparison.

<sup>2</sup> StainGuard Plus™ Time-Release Technology and 25-year limited warranty against blue-green algae discoloration available only on Timberline Ultra HD® Shingles sold in packages bearing the StainGuard Plus™ logo. Does not apply to Timberline Ultra HD® Reflector Series™ Shingles. See GAF Shingle and Accessory Ltd. Warranty for complete coverage and restrictions.

<sup>3</sup> This wind speed coverage requires special installation; see GAF Shingle & Accessory Ltd. Warranty for details.

<sup>4</sup> See GAF Shingle & Accessory Ltd. Warranty for complete coverage and restrictions. The word "Lifetime" refers to the length of coverage provided by the GAF Shingle & Accessory Ltd. Warranty and means as long as the original individual owner(s) of a single-family detached residence (or the second owner(s) in certain circumstances) owns the property where the shingles are installed. For owners/structures not meeting the above criteria, Lifetime coverage is not applicable.

<sup>5</sup> Rated by the Cool Roof Rating Council (CRRC), can be used to comply with Title 24 roofing product requirements, and meets the cool roof requirements of the Los Angeles Green Building Code.

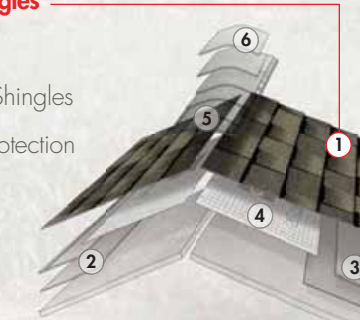
Most Popular Ultra HD® Shingle Colors      Regional Ultra HD® Shingle Colors

See chart on page 14 for color availability.

### Where They Fit Within The Lifetime Roofing System

#### 1. Lifetime Shingles

2. Leak Barrier
3. Starter Strip Shingles
4. Roof Deck Protection
5. Cobra® Attic Ventilation
6. Ridge Cap Shingles





Color Shown:  
Pewter Gray



\*StainGuard® algae protection and 10-year limited warranty against blue-green algae discoloration available only on shingles sold in packages bearing the StainGuard® logo. See GAF Shingle and Accessory Ltd. Warranty for complete coverage and restrictions.

Note: It is difficult to reproduce the color clarity and actual color blends of these products. Before selecting your color, please ask to see several full-size shingles.



TIMBERLINE® LIFETIME SHINGLES — NORTH AMERICA'S #1 — SELLING ROOF

## Value And Performance In A Genuine Wood-Shake Look

- **Great Value...** Architecturally stylish but practically priced — with a Lifetime Ltd. warranty.<sup>1</sup>
- **Dimensional Look...** Features GAF proprietary color blends and enhanced shadow effect for a genuine wood-shake look.
- **Highest Roofing Fire Rating...** UL Class A, Listed to ANSI/UL 790.
- **High Performance...** Designed with Advanced Protection® Shingle Technology, which reduces the use of natural resources while providing excellent protection for your home (visit [gaf.com/APS/](http://gaf.com/APS/) to learn more).
- **Stays In Place...** Dura Grip™ Adhesive seals each shingle tightly and reduces the risk of shingle blow-off. Shingles are warranted to withstand winds up to 130 mph (209 km/h).<sup>2</sup>
- **Peace Of Mind...** Lifetime Ltd. transferable warranty with Smart Choice® Protection (non-prorated material and installation labor coverage) for the first ten years.<sup>1</sup>
- **Perfect Finishing Touch...** Use Timbertex® Premium Ridge Cap Shingles or Ridglass® Premium Ridge Cap Shingles (visit [www.gaf.com/ridgecapavailability](http://www.gaf.com/ridgecapavailability) for availability in your area).

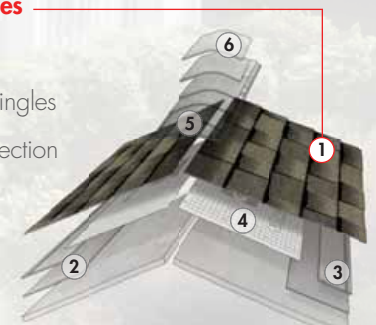
<sup>1</sup> See GAF Shingle & Accessory Ltd. Warranty for complete coverage and restrictions. The word "Lifetime" refers to the length of coverage provided by the GAF Shingle & Accessory Ltd. Warranty and means as long as the original individual owner(s) of a single-family detached residence [or the second owner(s) in certain circumstances] owns the property where the shingles are installed. For owners/structures not meeting the above criteria, Lifetime coverage is not applicable.  
<sup>2</sup> This wind speed coverage requires special installation; see GAF Shingle & Accessory Ltd. Warranty for details.  
<sup>3</sup> Rated by the Cool Roof Rating Council (CRRCC), can be used to comply with Title 24 roofing product requirements, and meets the cool roof requirements of the Los Angeles Green Building Code.  
<sup>4</sup> Limited availability.  
<sup>5</sup> Timberline HD® White is ENERGY STAR® certified (U.S. only).

Most Popular High Definition® Shingle Colors    Regional High Definition® Shingle Colors

See chart on page 14 for color availability.

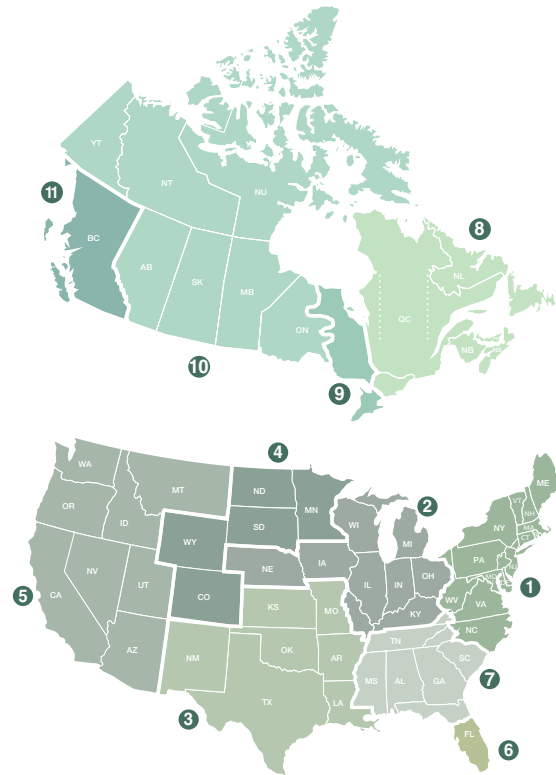
### Where They Fit Within The Lifetime Roofing System

1. Lifetime Shingles
2. Leak Barrier
3. Starter Strip Shingles
4. Roof Deck Protection
5. Cobra® Attic Ventilation
6. Ridge Cap Shingles



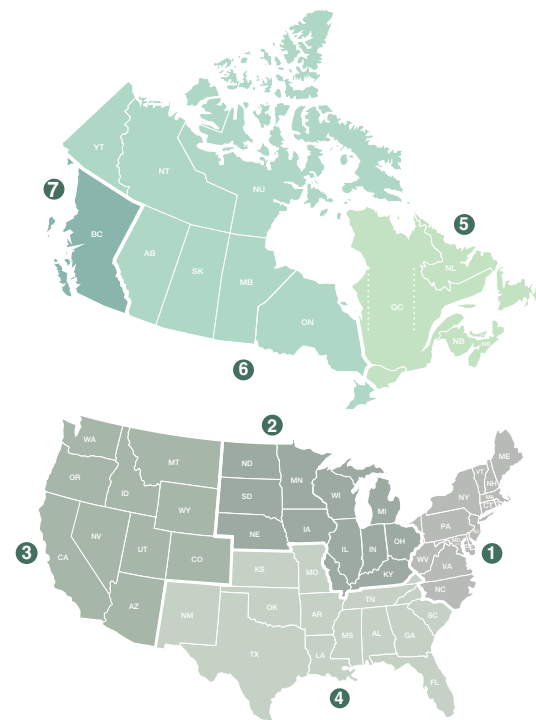
**TIMBERLINE HD**  
LIFETIME HIGH DEFINITION SHINGLES

	1	2	3	4	5	6	7	8	9	10	11
<b>Most Popular Colors:</b>											
Barkwood	•	•	•	•	•	•	•	•	•	•	•
Charcoal	•	•	•	•	•	•	•	•	•	•	•
Hickory	•	•	•	•	•	•	•	•	•	•	•
Hunter Green	•	•	•	•	•	•	•	•	•	•	•
Shakewood	•	•	•	•	•	•	•	•	•	•	•
Slate	•	•	•	•	•	•	•	•	•	•	•
Weathered Wood	•	•	•	•	•	•	•	•	•	•	•
<b>Regional Colors:</b>											
Birchwood <sup>1</sup>	•	•	•	•	•	•	•	•	•	•	•
Biscayne Blue	•	•	•	•	•	•	•	•	•	•	•
Canadian Driftwood	•	•	•	•	•	•	•	•	•	•	•
Copper Canyon <sup>1</sup>	•	•	•	•	•	•	•	•	•	•	•
Driftwood	•	•	•	•	•	•	•	•	•	•	•
Fox Hollow Gray	•	•	•	•	•	•	•	•	•	•	•
Golden Amber <sup>1,2</sup>	•	•	•	•	•	•	•	•	•	•	•
Mission Brown	•	•	•	•	•	•	•	•	•	•	•
Oyster Gray	•	•	•	•	•	•	•	•	•	•	•
Patriot Red	•	•	•	•	•	•	•	•	•	•	•
Pewter Gray	•	•	•	•	•	•	•	•	•	•	•
Sunset Brick	•	•	•	•	•	•	•	•	•	•	•
White <sup>1,3</sup>	•	•	•	•	•	•	•	•	•	•	•
Williamsburg Slate	•	•	•	•	•	•	•	•	•	•	•



**TIMBERLINE ULTRAHD**  
LIFETIME HIGH DEFINITION SHINGLES

	1	2	3	4	5	6	7
<b>Most Popular Colors:</b>							
Barkwood	•	•	•	•	•	•	•
Charcoal	•	•	•	•	•	•	•
Hickory	•	•	•	•	•	•	•
Hunter Green	•	•	•	•	•	•	•
Shakewood	•	•	•	• <sup>2</sup>	•	•	•
Slate	•	•	•	• <sup>2</sup>	•	•	•
Weathered Wood	•	•	•	•	•	•	•
<b>Regional Colors:</b>							
Birchwood <sup>1</sup>	•	•	•	•	•	•	•
Biscayne Blue	•	•	•	•	•	•	•
Fox Hollow Gray	•	•	•	•	•	•	•
Patriot Red	•	•	•	•	•	•	•
Pewter Gray	•	•	•	• <sup>2</sup>	•	•	•



<sup>1</sup>Rated by the Cool Roof Rating Council (CRRC), can be used to comply with Title 24 roofing product requirements, and meets the cool roof requirements of the Los Angeles Green Building Code.  
<sup>2</sup>Limited availability.  
<sup>3</sup>Timberline HD® White is ENERGY STAR® certified (U.S. only).  
 For complete product specifications, visit gaf.com.

**Most Popular**  
High Definition®  
Shingle Colors  
(Available nationwide)



**Regional**  
High Definition®  
Shingle Colors  
(See chart at left for availability)



\* StainGuard Plus™ Time-Release Technology and 25-year limited warranty against blue-green algae discoloration available only on Timberline Ultra HD® Shingles sold in packages bearing the StainGuard Plus™ logo. Does not apply to Timberline Ultra HD® Reflector Series™ Shingles. See GAF Shingle and Accessory Ltd. Warranty for complete coverage and restrictions.

\*\* StainGuard® algae protection and 10-year limited warranty against blue-green algae discoloration available only on shingles sold in packages bearing the StainGuard® logo. See GAF Shingle and Accessory Ltd. Warranty for complete coverage and restrictions.

Note: It is difficult to reproduce the color clarity and actual color blends of these products. Before selecting your color, please ask to see several full-size shingles.



<sup>1,2,3</sup> See footnotes on previous page





**TIMBERLINE**® *Natural Shadow*  
LIFETIME SHINGLES

(Only available in the U.S.)



Color Shown:  
Barkwood



U.S. only



StainGuard® algae protection and 10-year limited warranty against blue-green algae discoloration available only on shingles sold in packages bearing the StainGuard® logo. See *GAF Shingle and Accessory Ltd. Warranty* for complete coverage and restrictions.

Note: It is difficult to reproduce the color clarity and actual color blends of these products. Before selecting your color, please ask to see several full-size shingles.

Barkwood\*

Shakewood\*

Slate\*

Weathered Wood\*

Charcoal\*

Hickory\*

Pewter Gray\*

ENERGY STAR® CERTIFIED! (White Only)

Arctic White\*



U.S. only

TIMBERLINE® LIFETIME SHINGLES — NORTH AMERICA'S #1 — SELLING ROOF

## Value & Performance In A Natural Wood-Shake Look

- **Attractive Appearance...** Features a classic shadow effect. Lends any home a subtle, even-toned look with the warmth of wood.
- **Great Value...** Architecturally stylish but practically priced.
- **High Performance...** Designed with Advanced Protection® Shingle Technology, which reduces the use of natural resources while providing excellent protection for your home (visit [gaf.com/APS/](http://gaf.com/APS/) to learn more).
- **Highest Roofing Fire Rating...** UL Class A, Listed to ANSI/UL 790.
- **Stays In Place...** Dura Grip™ Adhesive seals each shingle tightly and reduces the risk of shingle blow-off. Shingles are warranted to withstand winds up to 130 mph.<sup>1</sup>
- **Peace Of Mind...** Lifetime Ltd. transferable warranty with Smart Choice® Protection (non-prorated material and installation labor coverage) for the first ten years.<sup>2</sup>
- **Perfect Finishing Touch...** Use Timbertex® Premium Ridge Cap Shingles or Ridglass® Premium Ridge Cap Shingles.<sup>3</sup>

<sup>1</sup> This wind speed coverage requires special installation; see *GAF Shingle & Accessory Ltd. Warranty* for details.

<sup>2</sup> See *GAF Shingle & Accessory Ltd. Warranty* for complete coverage and restrictions. The word "Lifetime" refers to the length of coverage provided by the *GAF Shingle & Accessory Ltd. Warranty* and means as long as the original individual owner(s) of a single-family detached residence [or the second owner(s) in certain circumstances] owns the property where the shingles are installed. For owners/structures not meeting the above criteria, Lifetime coverage is not applicable.

<sup>3</sup> These products are not available in all areas. See [www.gaf.com/ridgecapavailability](http://www.gaf.com/ridgecapavailability) for details.

\*Notes on Color Availability:

- Arctic White only available in the Shafter area.
- Pewter Gray only available in the Baltimore/Myerstown, Michigan City, Minneapolis, and Tuscaloosa service areas.
- Timberline® Natural Shadow® Shingles are not available in the Tampa area.

### Where They Fit Within The Lifetime Roofing System

**1. Lifetime Shingles**

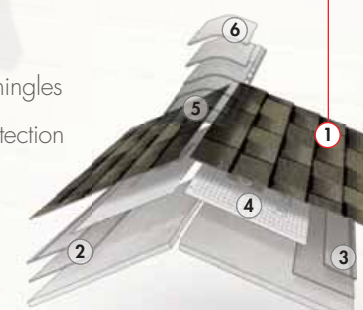
2. Leak Barrier

3. Starter Strip Shingles

4. Roof Deck Protection

5. Cobra® Attic Ventilation

6. Ridge Cap Shingles





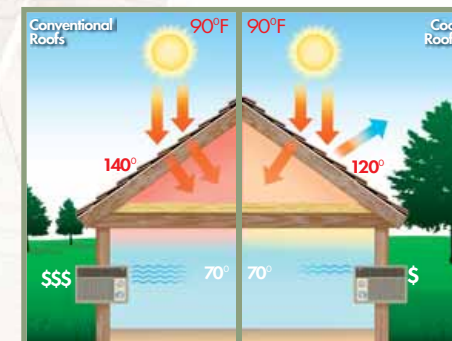
**TIMBERLINE®**  
**COOLSERIES®**  
 ENERGY-SAVING SHINGLES  
 (Only available in the U.S.)

The revolutionary Timberline® Cool Series® Shingles reflect sunlight to help reduce unwanted attic heat build-up and may help save on air-conditioning costs.<sup>1</sup> They are rated by the Cool Roof Rating Council (CRRC) and are ENERGY STAR® certified (U.S. only).<sup>2,3</sup>

TIMBERLINE® LIFETIME SHINGLES — NORTH AMERICA'S #1 — SELLING ROOF

## Revolutionary Cool Roofing

- **Helps Reduce Cooling Costs...** Cool roofs may help you save on cooling costs.<sup>1</sup>
- **Rebates...** Some utility companies may provide incentives for using cool shingles.



Thanks to the reflective nature of Timberline® Cool Series® Shingles, part of the heat radiating from the sun gets reflected, helping to reduce the heat in the attic and heat going into the house. It may translate into savings on air-conditioning bills!

Color Shown:  
Cool Barkwood

### TIMBERLINE® COOL SERIES® REFLECTANCE & EMITTANCE DATA

Color	Initial Solar Reflectance	Thermal Emittance	Solar Reflectance Index (SRI)
Cool Antique Slate	0.27	0.92	29
Cool Barkwood	0.27	0.92	29
Cool Weathered Wood	0.26	0.92	29

<sup>1</sup> Energy cost savings are not guaranteed and the amount of savings may vary based on climate zone, utility rates, radiative properties of roofing products, insulation levels, HVAC equipment efficiency, and other factors.

<sup>2</sup> All three Cool Colors meet the prescriptive requirements of 2016 Title 24, Part 6, of the California Code of Regulations, and meet the cool roof requirements of the Los Angeles Green Building Code.

<sup>3</sup> When installed properly, this product will help reduce energy costs. Actual savings will vary based on geographic location and individual building characteristics. For more information, contact GAF Technical Services at 1-800-ROOF-411, visit gaf.com, or call 1-888-STAR-YES.

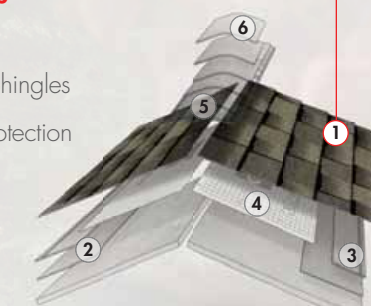
Cool Barkwood

Cool Antique Slate

Cool Weathered Wood

### Where They Fit Within The Lifetime Roofing System

1. Lifetime Shingles
2. Leak Barrier
3. Starter Strip Shingles
4. Roof Deck Protection
5. Cobra® Attic Ventilation
6. Ridge Cap Shingles



\*StainGuard® algae protection and 10-year limited warranty against blue-green algae discoloration available only on shingles sold in packages bearing the StainGuard® logo. See GAF Shingle and Accessory Ltd. Warranty for complete coverage and restrictions.

Note: It is difficult to reproduce the color clarity and actual color blends of these products. Before selecting your color, please ask to see several full-size shingles.



# Lifetime<sup>1</sup> Designer Shingles

## Ultra-Premium Collection

- Glenwood<sup>®</sup>
- Camelot<sup>®</sup>
- Grand Canyon<sup>®</sup>

## Value Collection

- Camelot<sup>®</sup> II
- Woodland<sup>®</sup>
- Sienna<sup>®</sup>
- Grand Sequoia<sup>®</sup>
- Slateline<sup>®</sup>

### PREMIUM COLOR BLENDS

Drawing on our deep expertise in shingle color design, GAF experts have developed Premium Color Blends — unique shingle color blends that combine our latest granule colors with GAF advanced blending technology, resulting in exceptionally vibrant, premium color options for your home. These select blends are available on certain shingles across our Lifetime<sup>1</sup> Designer Shingle collection.

As with all our Lifetime<sup>1</sup> Designer Shingle color blends, GAF Premium Color Blends complement a wide variety of home styles. So no matter which of our shingle color blends you choose, you'll not only be certain to increase your home's curb appeal — you'll also be sure to love its look. Just look for the Premium Color Blend logo!

<sup>1</sup> See footnote on next page



- **Affordable Luxury...** GAF Lifetime Designer Shingles are only a fraction of the cost of traditional slate or wood shakes
- **Sophisticated Designs...** Artisan-crafted shapes combined with dimensional designs result in a sophisticated beauty unmatched by typical shingles
- **Custom Color Palettes...** Specially formulated color palettes are designed to accentuate each shingle's natural appeal
- **High Performance...** Designed with Advanced Protection<sup>®</sup> Shingle Technology, which reduces the use of natural resources while providing excellent protection for your home (visit [gaf.com/APS/](http://gaf.com/APS/) to learn more)
- **StainGuard<sup>®</sup> Protection...** Helps ensure the beauty of your roof against unsightly blue-green algae<sup>2</sup>
- **Highest Roofing Fire Rating...** UL Class A, Listed to ANSI/UL 790
- **Stays In Place...** Dura Grip<sup>™</sup> Adhesive seals each shingle tightly and reduces the risk of shingle blow-off. Shingles warranted to withstand winds up to 130 mph (209 km/h)!<sup>3</sup>
- **The Ultimate Peace Of Mind...** Lifetime Ltd. transferable warranty with Smart Choice<sup>®</sup> Protection (non-prorated material and installation labor coverage) for the first ten years<sup>1</sup>
- **Perfect Finishing Touch...** Use Timbertex<sup>®</sup> Premium Ridge Cap Shingles or Ridglass<sup>®</sup> Premium Ridge Cap Shingles<sup>4</sup>



<sup>1</sup> See GAF Shingle & Accessory Ltd. Warranty for complete coverage and restrictions. The word "Lifetime" refers to the length of coverage provided by the GAF Shingle & Accessory Ltd. Warranty and means as long as the original individual owner(s) of a single-family detached residence [or the second owner(s) in certain circumstances] owns the property where the shingles are installed. For owners/structures not meeting the above criteria, Lifetime coverage is not applicable.

<sup>2</sup> StainGuard<sup>®</sup> algae protection and 10-year limited warranty against blue-green algae discoloration available only on shingles sold in packages bearing the StainGuard<sup>®</sup> logo. See GAF Shingle and Accessory Ltd. Warranty for complete coverage and restrictions.

<sup>3</sup> This wind speed coverage requires special installation. See GAF Shingle & Accessory Ltd. Warranty for details.

<sup>4</sup> These products are not available in all areas. See [www.gaf.com/ridgecapavailability](http://www.gaf.com/ridgecapavailability) for details.

### Where They Fit Within The Lifetime Roofing System

#### 1. Lifetime Shingles

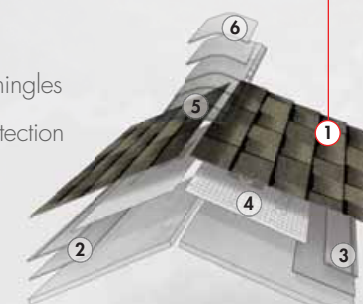
2. Leak Barrier

3. Starter Strip Shingles

4. Roof Deck Protection

5. Cobra<sup>®</sup> Attic Ventilation

6. Ridge Cap Shingles





**Glenwood**  
LIFETIME Designer SHINGLES

The Most Authentic Wood  
Shake-Look Shingles You Can Buy

LIFETIME DESIGNER SHINGLES — ULTRA-PREMIUM COLLECTION

Golden Prairie\*\*

Weathered Wood

Adobe Clay

Chelsea Gray

Autumn Harvest

Dusky Gray

Color Shown:  
Golden Prairie\*\*



\*StainGuard® algae protection and 10-year limited warranty against blue-green algae discoloration available only on shingles sold in packages bearing the StainGuard® logo. See GAF Shingle and Accessory Ltd. Warranty for complete coverage and restrictions.

Note: It is difficult to reproduce the color clarity and actual color blends of these products. Before selecting your color, please ask to see several full-size shingles.

\*\*Rated by the Cool Roof Rating Council (CRRC), can be used to comply with Title 24 roofing product requirements, and meets the cool roof requirements of the Los Angeles Green Building Code.

Timeless Beauty...  
Uncompromising Performance

LIFETIME DESIGNER SHINGLES — ULTRA-PREMIUM COLLECTION



Color Shown:  
Aged Oak



\*StainGuard® algae protection and 10-year limited warranty against blue-green algae discoloration available only on shingles sold in packages bearing the StainGuard® logo. See GAF Shingle and Accessory Ltd. Warranty for complete coverage and restrictions.

\*\*Uses premium color shingle granules in an exclusively formulated color blend.

This product is not available in all areas. See [gaf.com](http://gaf.com) for availability and details.

Note: It is difficult to reproduce the color clarity and actual color blends of these products. Before selecting your color, please ask to see several full-size shingles.

Antique Slate

PREMIUM COLOR BLEND \*\*

Majestic Navy

Aged Oak

Welsh Gray

San Gabriel

Sheffield Black

PREMIUM COLOR BLEND \*\*

Royal Slate

Williamsburg Slate

\*\* See footnote on previous page

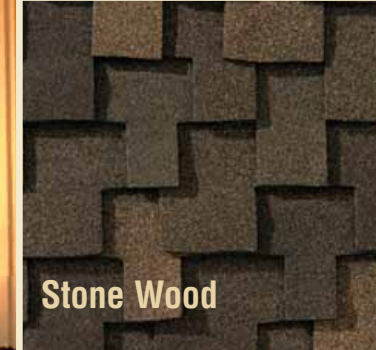


# Grand Canyon®

LIFETIME *Designer* SHINGLES

The Ultimate Choice For A Rugged Wood-Shake Look

LIFETIME DESIGNER SHINGLES — ULTRA-PREMIUM COLLECTION



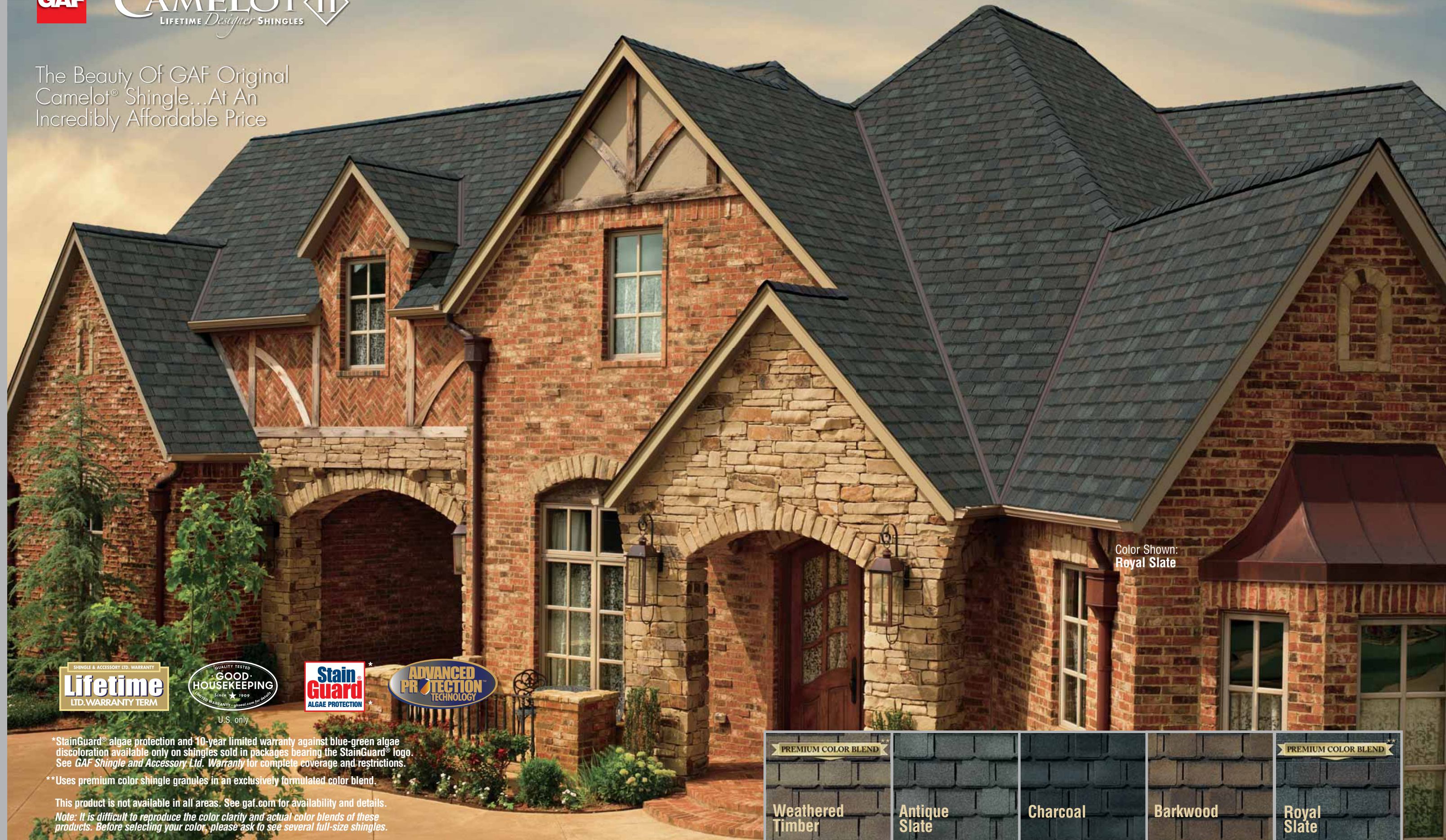
Color Shown:  
Storm Cloud  
Gray



StainGuard® algae protection and 10-year limited warranty against blue-green algae discoloration available only on shingles sold in packages bearing the StainGuard® logo. See GAF Shingle and Accessory Ltd. Warranty for complete coverage and restrictions. This product is not available in all areas. See [gaf.com](http://gaf.com) for availability and details.

*Note: It is difficult to reproduce the color clarity and actual color blends of these products. Before selecting your color, please ask to see several full-size shingles.*

The Beauty Of GAF Original Camelot® Shingle...At An Incredibly Affordable Price



Color Shown:  
Royal Slate



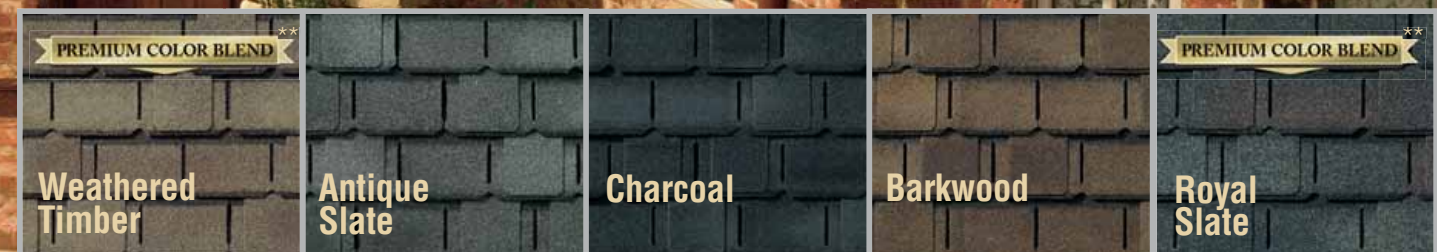
U.S. only

\*StainGuard® algae protection and 10-year limited warranty against blue-green algae discoloration available only on shingles sold in packages bearing the StainGuard® logo. See GAF Shingle and Accessory Ltd. Warranty for complete coverage and restrictions.

\*\*Uses premium color shingle granules in an exclusively formulated color blend.

This product is not available in all areas. See [gaf.com](http://gaf.com) for availability and details.

Note: It is difficult to reproduce the color clarity and actual color blends of these products. Before selecting your color, please ask to see several full-size shingles.





# Woodland®

LIFETIME Designer SHINGLES

The Stylish Look Of Hand-Cut European Shingles...At An Incredibly Affordable Price



Color Shown:  
Tuscan Sunset

\*StainGuard® algae protection and 10-year limited warranty against blue-green algae discoloration available only on shingles sold in packages bearing the StainGuard® logo. See GAF Shingle and Accessory Ltd. Warranty for complete coverage and restrictions.

\*\*Uses premium color shingle granules in an exclusively formulated color blend.

Note: It is difficult to reproduce the color clarity and actual color blends of these products. Before selecting your color, please ask to see several full-size shingles.



# Sienna®

LIFETIME Designer SHINGLES

Classic Old World Elegance...  
At An Incredibly Affordable Price



Color Shown:  
Aged Oak

\*StainGuard® algae protection and 10-year limited warranty against blue-green algae discoloration available only on shingles sold in packages bearing the StainGuard® logo. See GAF Shingle and Accessory Ltd. Warranty for complete coverage and restrictions.

Note: It is difficult to reproduce the color clarity and actual color blends of these products. Before selecting your color, please ask to see several full-size shingles.







# GRAND SEQUOIA®

LIFETIME Designer SHINGLES

Great Value For A Rugged Wood-Shake Look

Color Shown:  
Cedar



U.S. only

\*StainGuard® algae protection and 10-year limited warranty against blue-green algae discoloration available only on shingles sold in packages bearing the StainGuard® logo. See GAF Shingle and Accessory Ltd. Warranty for complete coverage and restrictions.

\*\*Uses premium color shingle granules in an exclusively formulated color blend.



# SLATELINE®

LIFETIME Designer SHINGLES

The Look Of Slate...  
At A Fraction Of The Cost

Color Shown:  
Emerald Green



U.S. only

\*StainGuard® algae protection and 10-year limited warranty against blue-green algae discoloration available only on shingles sold in packages bearing the StainGuard® logo. See GAF Shingle and Accessory Ltd. Warranty for complete coverage and restrictions.

\*\*Uses premium color shingle granules in an exclusively formulated color blend.

This product is not available in all areas. See [gaf.com](http://gaf.com) for availability and details.

Note: It is difficult to reproduce the color clarity and actual color blends of these products. Before selecting your color, please ask to see several full-size shingles.



# GAF GRAND SEQUOIA<sup>®</sup> ARMORSHIELD<sup>™</sup>

SBS MODIFIED IR SHINGLES



Color Shown:  
Dusky Gray



U.S. only

\*StainGuard<sup>®</sup> algae protection and 10-year limited warranty against blue-green algae discoloration available only on shingles sold in packages bearing the StainGuard<sup>®</sup> logo. See GAF Shingle and Accessory Ltd. Warranty for complete coverage and restrictions.



Adobe Sunset

Charcoal

Dusky Gray

Weathered Wood

## SBS MODIFIED IR SHINGLES

### Get Extra Protection For Your Most Valuable Asset!

- Potential Insurance Savings... Shingles pass the UL 2218 Class 4 Impact-Resistance Test, and may qualify for insurance discounts<sup>1</sup>
- Exceptional Protection... Design includes an SBS modified asphalt formula for rubber-like flexibility and increased impact resistance
- Excellent Wind Performance... Shingles are warranted to withstand maximum wind gusts of up to 130 mph (209 km/h)<sup>2</sup>
- Peace Of Mind... Lifetime Ltd. transferable warranty with Smart Choice<sup>®</sup> Protection (non-prorated material and installation coverage) for the first ten years<sup>3</sup>
- Ridge Cap Shingles... Use our Seal-A-Ridge<sup>®</sup> ArmorShield<sup>™</sup> SBS Modified IR Ridge Cap Shingles. They're a unique color match to GAF ArmorShield<sup>™</sup> Series Shingles

<sup>1</sup> Insurance discounts may not be available in your area. Where available, insurance discounts may vary. Contact your insurance provider for information.

<sup>2</sup> This wind coverage requires special installation; see GAF Shingle & Accessory Ltd. Warranty for details.

<sup>3</sup> See GAF Shingle & Accessory Ltd. Warranty for complete coverage and restrictions. The word "Lifetime" refers to the length of coverage provided by the GAF Shingle & Accessory Ltd. Warranty and means as long as the original individual owner(s) of a single-family detached residence (or the second owner(s) in certain circumstances) owns the property where the shingles are installed. For owners/structures not meeting the above criteria, Lifetime coverage is not applicable.

Note: Always use complementary-color GAF Starter/Match<sup>™</sup> Starter Strip Shingles when installing Grand Sequoia<sup>®</sup> ArmorShield<sup>™</sup> SBS Modified IR Shingles for the best look.

# GAF TIMBERLINE<sup>®</sup> ARMORSHIELD<sup>™</sup> II

SBS MODIFIED IR SHINGLES



Color Shown:  
Slate



U.S. only

\*StainGuard<sup>®</sup> algae protection and 10-year limited warranty against blue-green algae discoloration available only on shingles sold in packages bearing the StainGuard<sup>®</sup> logo. See GAF Shingle and Accessory Ltd. Warranty for complete coverage and restrictions.

Note: It is difficult to reproduce the color clarity and actual color blends of these products. Before selecting your color, please ask to see several full-size shingles.



Slate

Hickory

Weathered Wood

Pewter Gray

Barkwood

Shakewood

Charcoal

### Where They Fit Within The Lifetime Roofing System

#### 1. Lifetime Shingles

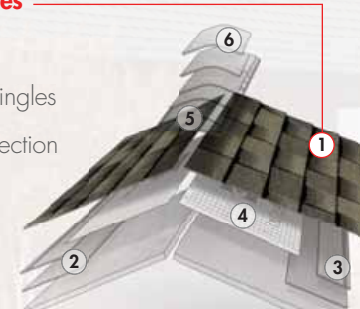
2. Leak Barrier

3. Starter Strip Shingles

4. Roof Deck Protection

5. Cobra<sup>®</sup> Attic Ventilation

6. Ridge Cap Shingles





# Ridge Cap Shingles

Installed on the hip and ridge areas of a home to help provide maximum protection

- Accentuate the Natural Beauty... Of your newly installed shingle roof
- Protect... Guard against leaks and blow-offs at the hip and ridge areas of your roof
- The Right Colors... Designed to complement the color of your roof's shingles (unlike cut-up 3-tab shingles)
- Peace Of Mind... Eligible for up to a Lifetime Ltd. warranty when installed on Lifetime Shingle roofs<sup>1</sup>



U.S. only

<sup>1</sup> See GAF Shingle & Accessory Ltd. Warranty for complete coverage and restrictions. The word "Lifetime" refers to the length of coverage provided by the GAF Shingle & Accessory Ltd. Warranty and means as long as the original individual owner(s) of a single-family detached residence [or the second owner(s) in certain circumstances] owns the property where the shingles and accessories are installed. For owners/structures not meeting the above criteria, Lifetime coverage is not applicable. Lifetime Ltd. warranty on accessories requires the use of at least three qualifying GAF accessories and the use of Lifetime Shingles.

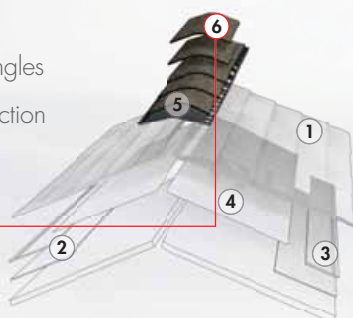
<sup>2</sup> Periodically tested by independent and internal labs to ensure compliance with ASTM D3462 at time of manufacture.

<sup>3</sup> StainGuard® algae protection and 10-year limited warranty against blue-green algae discoloration available only on shingles sold in packages bearing the StainGuard® logo. See GAF Shingle and Accessory Ltd. Warranty for complete coverage and restrictions.

These products are not available in all areas. See [www.gaf.com/ridgecapavailability](http://www.gaf.com/ridgecapavailability) for details.

## Where They Fit Within The Lifetime Roofing System

1. Lifetime Shingles
2. Leak Barrier
3. Starter Strip Shingles
4. Roof Deck Protection
5. Cobra® Attic Ventilation
6. Ridge Cap Shingles



## RIDGLASS® Premium Ridge Cap Shingles

### SPECIFICATIONS

- Fiberglass SBS polymer-modified asphalt construction
- Available in 8" (203 mm) and 10" (254 mm) widths
- 8" (203 mm) exposure
- Meets ASTM D3161 Class A; ASTM D3018 Type I; and ASTM D3462<sup>2</sup>
- UL Listed to ANSI/UL 790 Class A
- CSA A123.5
- ICC-ES ESR-1475 and ICC-ES ESR-3267
- 48 (8" [203 mm] & 10" [254 mm]) pcs./box (one box covers 31 lineal ft. [9 m] of finished hip & ridge); 3.2 boxes cover approx. 100 lineal ft. (30.5 m)
- Approx. 2 nails per piece
- Eligible for up to a Lifetime Ltd. warranty when installed on Lifetime Shingle roofs<sup>1</sup>

## TIMBERTEX® Premium Ridge Cap Shingles

### SPECIFICATIONS

- Fiberglass asphalt construction with double-layer design
- Available in 12" (305 mm) width
- 8" (203 mm) exposure
- UL Listed to ANSI/UL 790 Class A
- Meets ASTM D3161 Class F; ASTM D3018 Type I; and ASTM D3462<sup>2</sup>
- Miami-Dade County Product Control approved
- CSA A123.5
- Florida Building Code approved
- ICC-ES ESR-1475 and ICC-ES ESR-3267
- 150 pieces per 100 lineal ft. (30.5 m); 5 bundles per 100 lineal ft. (30.5 m)
- Approx. 2 nails per piece
- Eligible for up to a Lifetime Ltd. warranty when installed on Lifetime Shingle roofs<sup>1</sup>



## SEAL-A-RIDGE® Protective Ridge Cap Shingles

### SPECIFICATIONS (Standard Seal-A-Ridge® Ridge Cap Shingles)

- Fiberglass asphalt construction
- 6 2/3" (169 mm) exposure
- Approx. 12" (305 mm) wide
- UL Listed to ANSI/UL 790 Class A
- Miami-Dade County Product Control approved
- State of Florida approved
- Meets ASTM D3462<sup>2</sup>
- ICC-ES ESR-1475 and ICC-ES ESR-3267
- 4 bundles cover approx. 100 lineal feet (30.5 m)
- Approx. 2 nails per piece
- Eligible for up to a Lifetime Ltd. warranty when installed on Lifetime Shingle roofs<sup>1</sup>

### SPECIFICATIONS (Seal-A-Ridge® ArmorShield™ SBS Modified IR Ridge Cap Shingles)

- Fiberglass asphalt construction with SBS modified asphalt formula
- UL 2218 Class 4 impact resistant
- 5" (127 mm) exposure
- Approx. 12" (305 mm) wide
- UL Listed to ANSI/UL 790 Class A
- Meets ASTM D3462<sup>2</sup>
- ICC-ES ESR-1475 and ICC-ES ESR-3267
- 4 bundles cover approx. 100 lineal feet (30.5 m)
- Approx. 2 nails per piece
- Eligible for up to a Lifetime Ltd. warranty when installed on Lifetime Shingle roofs<sup>1</sup>



## Z® RIDGE Distinctive Ridge Cap Shingles

### SPECIFICATIONS

- Fiberglass asphalt construction
- 5 5/8" (143 mm) exposure
- Approx. 10" (254 mm) wide
- UL Listed to ANSI/UL 790 Class A
- Meets ASTM D3018 Type I, ASTM D3161 Class A, and ASTM D3462<sup>2</sup>
- ICC-ES ESR-1475 and ICC-ES ESR-3267
- 3 bundles cover approx. 100 lineal feet (30.5 m)
- Eligible for up to a Lifetime Ltd. warranty when installed on Lifetime Shingle roofs<sup>1</sup>

Only available in the U.S.

<sup>1, 2, 3</sup> See footnotes on previous page



# Roof Deck Protection

Helps guard against wind-driven rain and keep your roof system dry

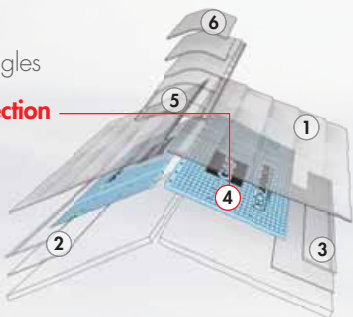
- **An Extra Layer of Protection...** Between your shingles and your roof deck helps prevent wind-driven rain (or water from other sources) from infiltrating under your shingles and causing damage to your roof structure or the inside of your home
- **Lies Flatter...** Helps avoid buckling when installed for a great look
- **Helps Reduce Blow-off...** By allowing your shingles to lie flatter and more uniformly
- **Peace of Mind...** Eligible for up to a Lifetime Ltd. warranty when installed on Lifetime Shingle roofs<sup>1</sup>



<sup>1</sup> See GAF Shingle & Accessory Ltd. Warranty for complete coverage and restrictions. The word "Lifetime" refers to the length of coverage provided by the GAF Shingle & Accessory Ltd. Warranty and means as long as the original individual owner(s) of a single-family detached residence [or the second owner(s) in certain circumstances] owns the property where the shingles and accessories are installed. For owners/structures not meeting the above criteria, Lifetime coverage is not applicable. Lifetime Ltd. warranty on accessories requires the use of at least three qualifying GAF accessories and the use of Lifetime Shingles.

## Where They Fit Within The Lifetime Roofing System

1. Lifetime Shingles
2. Leak Barrier
3. Starter Strip Shingles
4. **Roof Deck Protection**
5. Cobra® Attic Ventilation
6. Ridge Cap Shingles



## DECKARMOR™ Premium *Breathable* Roof Deck Protection



- **Revolutionary "Breathable" Technology...** Helps reduce moisture in the roofing system that can cause mold, mildew, and expensive structural damage
- **Enhanced Walkability...** Specially designed surface helps provide enhanced walkability for installers compared to conventional felts
- **Premium Construction...** Durable, non-asphaltic construction will not rot or become brittle (unlike conventional asphaltic felts, which can disintegrate over time)
- **Strong...** At least 600% greater tear strength than standard #30 felt<sup>1</sup>
- **Great Look...** Helps resist wrinkling and buckling for a more uniform look

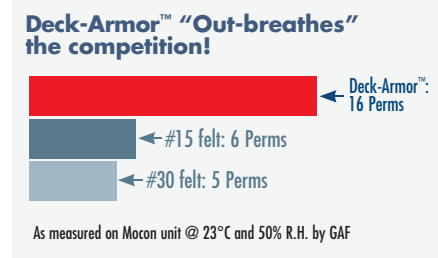
<sup>1</sup> GAF trapezoidal tear strength (lbs) testing per ASTM D4533.

### SPECIFICATIONS

- UV-stabilized polypropylene construction resists UV degradation for up to 180 days\*
- Meets or exceeds the physical requirements of ASTM D226 and D4869
- Miami-Dade County Product Control and State of Florida approved
- ICC-ES ESR-2808
- Approx: 10 squares (1,000 ft<sup>2</sup> [92.9 m<sup>2</sup>])/roll (excludes laps); length 223' (68 m); width 54" (1.4 m); 37 lb. (17 kg)/roll (nominal)
- Listed with Texas Department of Insurance as an acceptable alternate roof underlayment

\*See footnote on next page

Note: **Always** use plastic cap nails or staples with plastic caps to install Deck-Armor™ Roof Deck Protection. Do **NOT** use nails or staples without caps.



## TIGERPAW™ Roof Deck Protection



- **Excellent Walkability...** Specially designed surface helps provide excellent walkability for installers compared to conventional felts
- **Moisture-Control Design...** Helps remove nearly twice as much damaging moisture from your roof deck as the leading synthetic non-breathable underlayment<sup>1</sup>
- **Durable Construction...** Non-asphaltic, polypropylene construction will not rot or become brittle (unlike conventional felts, which can disintegrate over time)
- **Great Look...** Unlike conventional asphaltic felts, Tiger Paw™ Roof Deck Protection resists wrinkling and buckling that can "telegraph" through your roof shingles and detract from its finished appearance
- **Stronger...** Synthetic, non-woven construction provides at least 600% greater tear strength than standard #30 felt<sup>2</sup>

<sup>1</sup> As per GAF ASTM D570-modified testing.

<sup>2</sup> GAF trapezoidal tear strength (lbs) testing per ASTM D4533.

### SPECIFICATIONS

- UV-stabilized polypropylene construction resists UV degradation for up to 180 days\*
- Meets or exceeds the physical requirements of ASTM D226, D4869, and CSA A220-1
- Miami-Dade County Product Control and State of Florida approved
- ICC-ES ESR-3286
- Approx: 10 squares (1,000 ft<sup>2</sup> [92.9 m<sup>2</sup>])/roll (excludes laps); length 250' (76.2 m); width 48" (1.22 m); 40 lb. (18 kg)/roll (nominal)
- Listed with Texas Department of Insurance as an acceptable alternate roof underlayment

Note: **Always** use plastic cap nails or staples with plastic caps to install Tiger Paw™ Roof Deck Protection. Do **NOT** use nails or staples without caps.

\*Note: 180-day UV resistance refers to standardized testing conducted by GAF to ensure the product will not physically degrade when exposed to UV. It is **NOT** related to withstanding water, snow, or wind. While Deck-Armor™ and Tiger Paw™ Roof Deck Protection are water resistant, they are **NOT WATERPROOF. DO NOT USE** Deck-Armor™ or Tiger Paw™ Roof Deck Protection as a temporary roof to protect property or possessions.

## FELTBUSTER® HIGH-TRACTION SYNTHETIC ROOFING FELT



- **Enhanced Walkability...** Special spunbound surface helps provide increased traction compared to typical asphalt felts
- **Tough Synthetic Construction...** Helps resist tearing and will not absorb moisture, become brittle, or leach oils
- **Easy to Work With...** Super-lightweight, 10 square, 48" (1.23 m) wide roll (vs. typical 36" [914 mm] wide felt rolls)
- **Cooler to Work On...** Medium-gray surface is cooler than typical black asphalt felts and the leading black low-cost synthetic underlayment

### SPECIFICATIONS

- UV-stabilized polypropylene construction resists UV degradation for up to 90 days<sup>1</sup>
- For use with asphalt shingles
- Meets or exceeds the physical requirements of ASTM D226, D4869, and CSA A123-3
- Miami-Dade County Product Control and State of Florida approved
- Approx: 10 squares/roll (1,000 sq. ft. [92.9 m<sup>2</sup>] (excludes laps); length 250' (76.2 m); width 48" (1.22 m); 23 lb. (10.4 kg) / roll (nominal)
- Listed with Texas Department of Insurance as an acceptable alternate roof underlayment

Note: **Always** install FeltBuster® High-Traction Synthetic Roofing Felt using plastic cap nails or plastic cap staples. Do **NOT** use nails or staples without caps.

<sup>1</sup>Note: 90-day UV resistance refers to standardized testing conducted by GAF to ensure the product will not physically degrade when exposed to UV. It is **NOT** related to withstanding water, snow, or wind. While FeltBuster® High-Traction Synthetic Roofing Felt is water resistant, it is **NOT WATERPROOF. DO NOT USE** FeltBuster® High-Traction Synthetic Roofing Felt as a temporary roof to protect property or possessions.



## SHINGLE-MATE® Roof Deck Protection

- Fiberglass reinforced, so it lies flatter than typical asphalt felts for a more uniform look
- UL Listed for use in a variety of shingle roof assemblies with an ANSI/UL 790 Class A roofing fire rating<sup>1</sup>
- Miami-Dade County Product Control and State of Florida approved
- Meets the physical requirements of ASTM D226 and ASTM D4869
- Approx: 4 squares/roll (432 ft<sup>2</sup> [40.13 m<sup>2</sup>]); length 144' (43.89 m); width 36" (914 mm); 30 lb. (13.6 kg)/roll

<sup>1</sup>Refer to UL Online Certification Directory for actual assemblies.



## VERSASHIELD® FIRE-RESISTANT ROOF DECK PROTECTION (Available across the U.S.; not available in Canada)

- The best protection against fire spread and penetration
- Fiberglass reinforced, so it lies flatter than typical asphalt felts for a better-looking roof
- Will upgrade the UL fire classification of almost any type of roof (refer to UL Certifications Directory for actual assemblies)
- Meets or exceeds ASTM D226 Type II, D4869 Type IV, and D6757 Type I or Type II
- Approx: 3.5 squares/roll (350 ft<sup>2</sup> [32.5 m<sup>2</sup>]) (excludes laps); length 100' (30.5 m); width 42" (1,067 mm); 52.5 lb. (24 kg)/roll
- Miami-Dade County Product Control and State of Florida approved
- ICC-ES ESR-2053
- Listed with Texas Department of Insurance as an acceptable alternate roof underlayment



## ROOFPRO™ SBS-Modified All-Purpose Underlayment

(Available in Western U.S. only)

- SBS-modified asphalt increases flexibility and provides long-lasting durability; up to 60 days<sup>1</sup> UV exposure resistance<sup>1</sup>
- Fiberglass reinforced, so it lies flatter than typical asphalt felts for a more uniform look
- UL Listed for use in a variety of shingles and other roof assemblies with an ANSI/UL 790 Class A roofing fire rating<sup>2</sup>
- Meets or exceeds all physical properties of ASTM D226
- UL ER10689-01 Evaluation Report
- Approx: 2 squares/roll (216 gross ft<sup>2</sup> [20.1 m<sup>2</sup>]); length 65.8' (20.1 m); width 39.4" (1 m)

<sup>1</sup>Note: 60-day UV resistance refers to standardized testing conducted by GAF to ensure the product will not physically degrade when exposed to UV. It is **NOT** related to withstanding water, snow, or wind. While RoofPro™ SBS-Modified All-Purpose Underlayment is water resistant, it is **NOT WATERPROOF. DO NOT USE** RoofPro™ SBS-Modified All-Purpose Underlayment as a temporary roof to protect property or possessions.

<sup>2</sup>Refer to UL Online Certification Directory for actual assemblies.



# Leak Barriers

Provides exceptional protection against leaks caused by roof settling and extreme weather

- **Protect Your Property...** Help prevent wind-driven rain from leaking through the roof deck, or melting ice and snow (caused by ice dams in harsh winter climates) from leaking into property's interior
- **Add Extra Protection...** In valleys and at eave and rake edges — the most leak-prone areas of the roof. Strongly recommended for other areas like skylights, dormers, vent pipes, chimneys, and other flashing areas
- **Help Avoid Costly Repairs...** Due to staining on interior walls and ceilings from leaks
- **Peace Of Mind...** Eligible for up to a Lifetime Ltd. warranty when installed on Lifetime Shingle roofs†

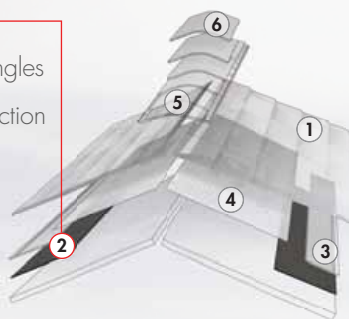


U.S. only

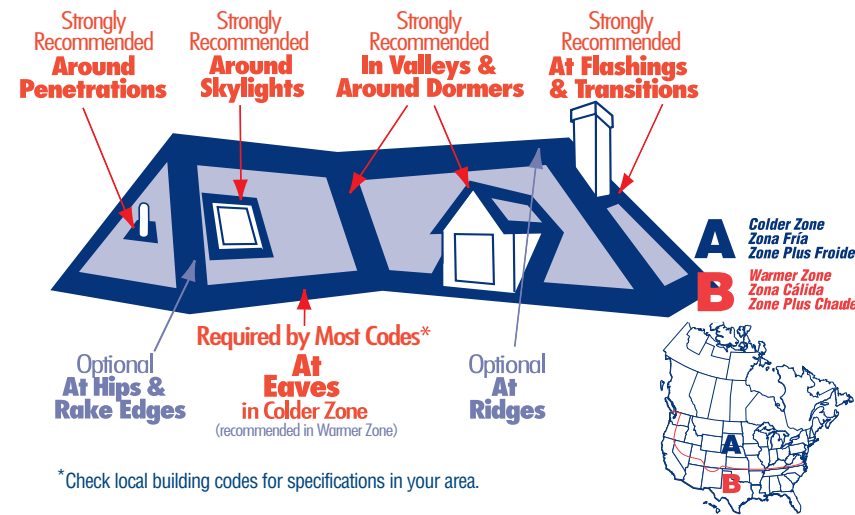
† See GAF Shingle & Accessory Ltd. Warranty for complete coverage and restrictions. The word "Lifetime" refers to the length of coverage provided by the GAF Shingle & Accessory Ltd. Warranty and means as long as the original individual owner(s) of a single-family detached residence (or the second owner(s) in certain circumstances) owns the property where the shingles and accessories are installed. For owners/structures not meeting the above criteria, Lifetime coverage is not applicable. Lifetime Ltd. warranty on accessories requires the use of at least three qualifying GAF accessories and the use of Lifetime Shingles.

## Where They Fit Within The Lifetime Roofing System

1. Lifetime Shingles
2. Leak Barrier
3. Starter Strip Shingles
4. Roof Deck Protection
5. Cobra® Attic Ventilation
6. Ridge Cap Shingles



## "Protect Your Investment And Safeguard Vulnerable Areas"



\*Check local building codes for specifications in your area.



## SPECIFICATIONS (NOM.)

### WEATHERWATCH® Mineral-Surfaced Leak Barrier

(For Shingle Roofs)

- Mineral surface & fiberglass reinforced
- Split-back release film
- UL Listed to ANSI/UL 790 Class A
- ICC Evaluation Report ESR-1322
- Meets the performance criteria of ASTM D1970
- Miami-Dade County Product Control approved
- State of Florida approved
- Roll width is 36" (0.9 m)
- Available in 1.5 & 2.0 square rolls
- Length of 1.5 square roll is 50' (15.2 m)
- Length of 2.0 square roll is 66.7' (20.33 m)
- Approx. area of 1.5 square roll is 150 ft<sup>2</sup> (13.9 sq m)
- Approx. area of 2.0 square roll is 200 ft<sup>2</sup> (18.6 sq m)

### STORMGUARD® Film-Surfaced Leak Barrier

(For Shingle And Metal Roofs)

- Durable film surface & fiberglass reinforced
- Split-back release film
- UL Listed to ANSI/UL 790 Class A
- ICC Evaluation Report ESR-1322
- Meets the performance criteria of ASTM D1970
- 250°F (121.1°C) high-temperature rating\*
- Miami-Dade County Product Control approved
- State of Florida approved
- Available in 2.0 square rolls
- Width is 36" (0.9 m), length is 66.7' (20.33 m)
- Approx. area of 2.0 square roll is 200 ft<sup>2</sup> (18.6 sq m)

\*The high-temperature compound is suitable for most metal roofing system applications. For use under copper and zinc or for information on other approved non-asphaltic roofing systems, contact GAF Technical Services at 1-800-ROOF-411.



# Eave/Rake Starter Strips

Help prevent shingle blow-off and reduce waste

- **Placed at the eaves...** To help prevent shingle blow-off
- **Efficient...** Provides a cost-effective alternative to using cut-up shingles as your starter strip
- **Help Prevent Blow-Offs...** Includes a high-quality, properly positioned factory-applied adhesive that will tightly lock your shingles in place
- **Easy To Install...** Pre-scored (Pro-Start® & WeatherBlocker™ only); no cutting needed
- **Maximum Wind Warranties...** Requires starter strips on rake and eaves†
- **Peace Of Mind...** Eligible for up to a Lifetime Ltd. warranty when installed on Lifetime Shingle roofs†
- **Best Performance...** Factory-applied Dura Grip™ Adhesive helps to lock down the roof edges at the eaves and rakes (excludes StarterMatch™)



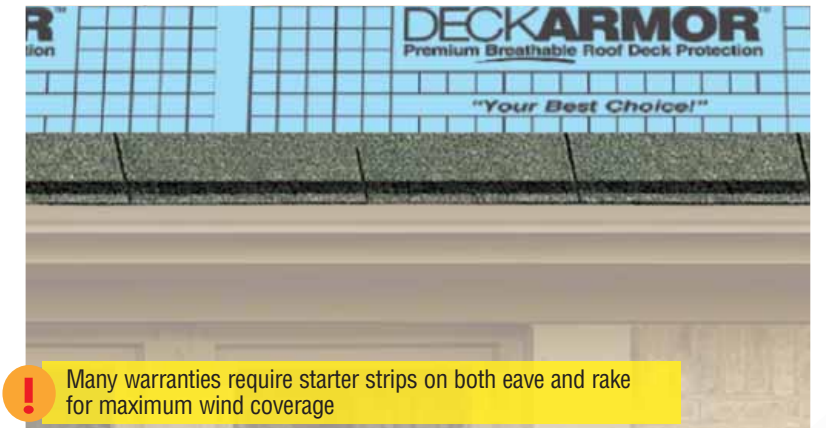
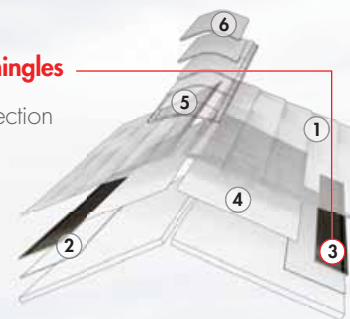
U.S. only

† Periodically tested by independent and internal labs to ensure compliance with ASTM D3462 at time of manufacture.

† See GAF Shingle & Accessory Ltd. Warranty for complete coverage and restrictions. The word "Lifetime" refers to the length of coverage provided by the GAF Shingle & Accessory Ltd. Warranty and means as long as the original individual owner(s) of a single-family detached residence (or the second owner(s) in certain circumstances) owns the property where the shingles and accessories are installed. For owners/structures not meeting the above criteria, Lifetime coverage is not applicable. Lifetime Ltd. warranty on accessories requires the use of at least three qualifying GAF accessories and the use of Lifetime Shingles.

## Where They Fit Within The Lifetime Roofing System

1. Lifetime Shingles
2. Leak Barrier
3. Starter Strip Shingles
4. Roof Deck Protection
5. Cobra® Attic Ventilation
6. Ridge Cap Shingles



! Many warranties require starter strips on both eave and rake for maximum wind coverage

## WEATHERBLOCKER™ PREMIUM EAVE/RAKE STARTER STRIP

(Use with all shingles. 17"x40" [432 x 1,016 mm] or splits to 8.5"x40" [216 x 1,016 mm])

- Meets ASTM D3462\*
- UL Listed to ANSI/UL 790 Class A
- Available nationally
- Miami-Dade County Product Control and State of Florida approved

## PRO-START® EAVE/RAKE STARTER STRIP SHINGLES

(Use with most standard English and metric-sized shingles. 13"x38" [330 x 965 mm] or splits to 6.5"x38" [165 x 965 mm])

- Meets ASTM D3462\*
- UL Listed to ANSI/UL 790 Class A
- Available nationally
- Miami-Dade County Product Control and State of Florida approved

## QUICKSTART® Peel & Stick Starter Roll

(Peel & Stick installation helps eliminate fastening and cutting of starters. For shingles with 6" [152 mm] or less exposure. 9' x 33' [227 mm x 10 m] roll.)

- Available nationally
- State of Florida approved
- Meets physical property requirements of ASTM D1970



Also Available:

## STARTERMATCH™ STARTER STRIP SHINGLES

(Designed for use with GAF Lifetime Designer Shingles requiring complementary color starter. 13.25" x 40" [337 mm x 1,016 mm])



# Cobra® Attic Ventilation

Helps to remove excess heat and moisture to protect your roof system and structure from premature deterioration

- Looks Terrific... Shingle-over design helps maintain an "uncluttered" look on your roof
- Promotes Energy Efficiency... Allows excessive heat in your attic to escape to help reduce air-conditioning load
- Durable Construction... Manufactured with tough, UV-stable materials for performance in virtually any climate
- Strong... Passes the 110 mph (177 km/h) wind-driven rain test (under controlled GAF laboratory testing)
- Peace of Mind... Eligible for up to a Lifetime Ltd. warranty when installed on Lifetime Shingle roofs†

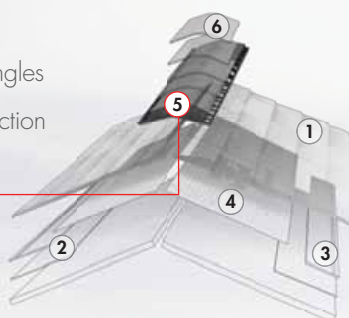


U.S. only

† See GAF Shingle & Accessory Ltd. Warranty for complete coverage and restrictions. The word "Lifetime" refers to the length of coverage provided by the GAF Shingle & Accessory Ltd. Warranty and means as long as the original individual owner(s) of a single-family detached residence (or the second owner(s) in certain circumstances) owns the property where the shingles and accessories are installed. For owners/structures not meeting the above criteria, Lifetime coverage is not applicable. Lifetime Ltd. warranty on accessories requires the use of at least three qualifying GAF accessories and the use of Lifetime Shingles.

## Where They Fit Within The Lifetime Roofing System

1. Lifetime Shingles
2. Leak Barrier
3. Starter Strip Shingles
4. Roof Deck Protection
5. Cobra® Attic Ventilation
6. Ridge Cap Shingles



## Choose From The Industry's Most Comprehensive Line Of Ridge Vents!

5 Styles To Choose From!					
<b>Product Name</b>	<b>Cobra® Exhaust Vent for Roof Ridge</b>	<b>Cobra® RidgeRunner® Exhaust Vent for Roof Ridge</b>	<b>Cobra® Rigid Vent 3™ Exhaust Vent for Roof Ridge</b>	<b>Cobra® Snow Country® Exhaust Vent for Roof Ridge</b>	<b>Cobra® Snow Country® Advanced Exhaust Vent for Roof Ridge</b>
<b>Description &amp; Availability</b>	Roll-style vent, available in all climates	Rigid roll-style vent, available in all climates	Premium rigid-style vent, available in warmer climates	Rigid-style vent, available in colder climates	Premium rigid-style vent, available in colder climates
<b>Net Free Ventilating Area (NFVA)</b>	16.9 in <sup>2</sup> (109 cm <sup>2</sup> ) (hand nail version) 14.1 in <sup>2</sup> (91 cm <sup>2</sup> ) (nail gun version)	12.5 in <sup>2</sup> (81 cm <sup>2</sup> )	18.0 in <sup>2</sup> (116 cm <sup>2</sup> )	18.0 in <sup>2</sup> (116 cm <sup>2</sup> )	18.0 in <sup>2</sup> (116 cm <sup>2</sup> )
<b>Width(s) Available</b>	8" (203 mm) & 10.5" (267 mm); 11.75" (299 mm) metric	11.5" (292 mm)	9" (229 mm) & 11.5" (292 mm)	11.5" (292 mm)	9" (229 mm) & 11.5" (292 mm)
<b>Nail-Gunable</b>	Yes (nail gun version)	Yes	No	No	No
<b>Length</b>	20' (6.1 m) & 50' (15.24 m) rolls	20' roll (6.1 m)	4' sticks (1.21 m)	4' sticks (1.21 m)	4' sticks (1.21 m)
<b>Nails Included?</b>	Yes	Yes	Yes	No	Yes
<b>Hand Tearable?</b>	No	Yes	Yes	Yes	Yes
<b>Weather Filter?</b>	N/A	Yes	No	Yes	Yes

## Cobra® Ridge Vents...

- Provide excellent attic ventilation when used as part of a properly balanced attic ventilation system
- Work along the length of the roof's ridge to minimize temperature and equalize pressure inside the attic
- Allow a flow-through of fresh air to reduce damaging heat and moisture
- Include the EasyTear™ Sizing Feature, which allows you to hand-tear the vents in regular increments (except Cobra® Exhaust Vent For Roof Ridge)
- Eligible for up to a Lifetime Ltd. warranty when installed on Lifetime Shingle roofs†
- ICC Evaluation Report ESR-1265
- Miami-Dade County Product Control approved
- Evaluated by Texas Department of Insurance
- State of Florida approved

## Specialty Ventilation Solutions...



Safe and effective attic exhaust ventilation for roofs with little or no ridge

- Unique Dual-Weather Fighter Filter™ helps resist all types of weather infiltration\*
- Fully nail-gunnable with included coil nails
- Size: 4' x 11.5" (1.21 m x 292.1 mm)
- NFA: 9 in<sup>2</sup> per lineal foot (58 cm<sup>2</sup>/lm)
- State of Florida approved
- Texas Department of Insurance



Provides critical intake ventilation for homes with little or no soffits

- Eliminates time consuming/expensive alterations at the soffit
- Fully nail-gunnable with included coil nails
- Helps resist wind-driven rain, snow, and ice-dam infiltration\*
- Size: 20' x 11" (6.1 m x 279 mm)
- NFA: 9 in<sup>2</sup> per lineal foot (58 cm<sup>2</sup>/lm)
- State of Florida approved



\*Under controlled GAF laboratory testing

Note: Always have a balanced ventilation system. In no case should the amount of exhaust ventilation exceed the amount of intake ventilation. Visit [gaf.com/ventcalculator](http://gaf.com/ventcalculator) for details.



# ROYAL SOVEREIGN<sup>®</sup>

## THREE-TAB SHINGLES

(Only available in the U.S.)

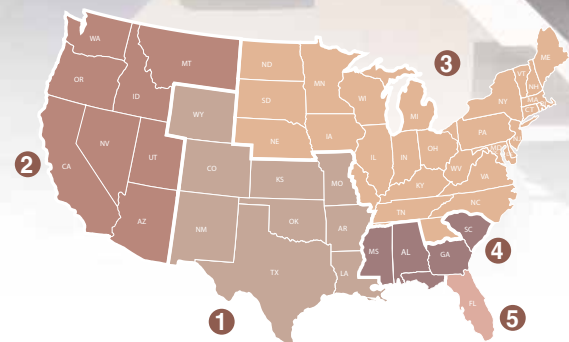
THREE-TAB SHINGLES

### Beauty And Performance Meet Affordability

- **Proven Quality...** Over 10 billion Royal Sovereign<sup>®</sup> Shingles have been installed in North America — enough to circle the Earth more than 200 times if they were laid end to end!
- **Advanced Protection<sup>®</sup> Shingle Technology...** Reduces the use of precious natural resources while providing excellent protection for your home (visit [gaf.com/APS/](http://gaf.com/APS/) to learn more).
- **Looks Great...** Color Lock<sup>™</sup> Ceramic Firing (granules) helps maintain the true shingle color.
- **StainGuard<sup>®</sup> Protection...** Helps ensure the beauty of your roof against unsightly blue-green algae.\*
- **Stays In Place...** Passes the industry's two toughest wind tests: ASTM's 110 mph and 150 mph wind tests (under controlled laboratory conditions).\*\*
- **Excellent Performance...** Micro Weave<sup>™</sup> Core offers a strong foundation that helps resist cracking and splitting.
- **Highest Roofing Fire Rating...** UL Class A, Listed to ANSI/UL 790.
- **Great For Resale...** Long-lasting beauty may increase your home's resale value.
- **Peace Of Mind...** 25-year Ltd. transferable warranty with Smart Choice<sup>®</sup> Protection (non-prorated material and installation labor coverage) for the first five years.\*\*\*



Color Shown:  
Autumn Brown



## Color Availability

	1	2	3	4	5
<b>Most Popular Colors:</b>					
Autumn Brown	•		•	•	•
Charcoal	•	•	•	•	•
Golden Cedar	•		•	•	•
Silver Lining			•	•	•
Weathered Gray	•		•	•	•
White <sup>1,2</sup>		•	•		•
<b>Regional Colors:</b>					
Ash Brown	•				
Cypress Tan					•
Nickel Gray			•		
Russet Red					•
Sandrift					•
Slate	•		•	•	
Summer Sage		•			

Note: It is difficult to reproduce the color clarity and actual color blends of these products. Before selecting your color, please ask to see several full-size shingles.

<sup>1,2</sup> See footnotes on next page



<sup>1</sup> ENERGY STAR<sup>®</sup> certified (U.S. only). When installed properly, this product will help reduce energy costs. Actual savings will vary based on geographic location and individual building characteristics. For more information, contact GAF Technical Services at 1-800-ROOF-411, visit [gaf.com](http://gaf.com), or call 1-888-STAR-YES.

<sup>2</sup> This shingle meets the prescriptive requirements of 2016 Title 24, Part 6, of the California Code of Regulations, is rated by the Cool Roof Rating Council (CRRRC), and meets the Los Angeles Green Building Code.



U.S. only



\*StainGuard<sup>®</sup> algae protection and 10-year limited warranty against blue-green algae discoloration available only on shingles sold in packages bearing the StainGuard<sup>®</sup> logo. See GAF Shingle and Accessory Ltd. Warranty for complete coverage and restrictions.

\*\*Warranted to withstand wind speeds up to 60 mph. See GAF Shingle and Accessory Ltd. Warranty for complete coverage and restrictions.

\*\*\*See GAF Shingle & Accessory Ltd. Warranty for complete coverage and restrictions.

(Only available in the U.S. For information about Marquis WeatherMax<sup>®</sup> Three-tab Shingles, which are available in Canada, visit [gaf.ca](http://gaf.ca).)



# Other Attic Ventilation & Specialty Products

- Master Flow® Ventilation Products
- Fiber-Cement Siding
- Accessory Paint
- Self-Adhering Low-Slope Roofing Systems
- Masonex™ Clear Masonry Sealer



U.S. only.  
Excludes WeatherSide™ Fiber-Cement Siding and Masonex™ Clear Masonry Sealer

\* See Master Flow® Ventilation Products Limited Warranty for complete coverage and restrictions. The word "Lifetime" refers to the length of coverage provided by the Master Flow® Ventilation Products Limited Warranty and means as long as you, the original owner(s) [or the second owner(s) if coverage was properly transferred] of the Master Flow® Ventilation Products, own the property where the Master Flow® Ventilation Products are installed on a single-family detached residence owned by individuals. For any other type of owner or building, such as a corporation, governmental entity, religious entity, condominium or homeowner association, school, apartment building, office building, or multi-use structure, the length of the warranty is 40 years.

## Master Flow® Ventilation Products



### Power Attic Vents



Investing in a roof-mounted Master Flow® Power Attic Vent may help increase the overall comfort of your home, reduce the cost of air conditioning† and wear on the system, minimize heat/moisture damage to roof and attic, and resist mold and mildew. Master Flow® Power Attic Vents feature:

- High-efficiency motors
- Large flashing for easy installation
- Automatic thermostat, available with humidistat/thermostat control as an option
- Complementary colors
- UL Listed to ANSI/UL 507



† Energy cost savings are not guaranteed and the amount of savings may vary based on climate zone, utility rates, radiative properties of roofing products, insulation levels, HVAC equipment efficiency, and other factors.

### Roof Louvers



(select models)

The Master Flow® line boasts one of the broadest assortments of roof louvers on the market today. Options include galvanized, aluminum, plastic, and unique granule-coated construction, as well as slant-back and square-top designs.

Master Flow® also offers a wide selection of "energy-free" ventilation products including soffit/undereave vents, aluminum ridge vents, wall louvers, chimney caps, foundation vents, and roof jacks to meet virtually every need. Also available, energy-smart Whole House Fans.



Unique granule-coated model

### Solar-Powered Vents

The ultimate in energy-efficient power vents, Master Flow® Green Machine™ EcoSmart Solar Vents use the sun's energy to remove damaging heat and moisture from your attic.

- 100% solar-powered models require no electrical wiring or electricians
- Unique dual-powered units run on house power at night or when the sun is not out and require 80% less electricity than conventional power vents (when running on house power)
- Miami-Dade County Product Control approved, State of Florida approved, and Texas Department of Insurance listed

#### PRSOLAR2 (Solar-Powered)

- 750 CFM airflow, includes h-stat/t-stat

#### PRHYBRID2 (Dual-Powered)

- 750 CFM airflow on solar power, 900 CFM on house power; includes t-stat

#### PRSOLAR1 (Solar-Powered)

- 500 CFM airflow

#### PRHYBRID1 (Dual-Powered)

- 500 CFM airflow on solar power, 750 CFM on house power



### Wind Turbines



(select models)

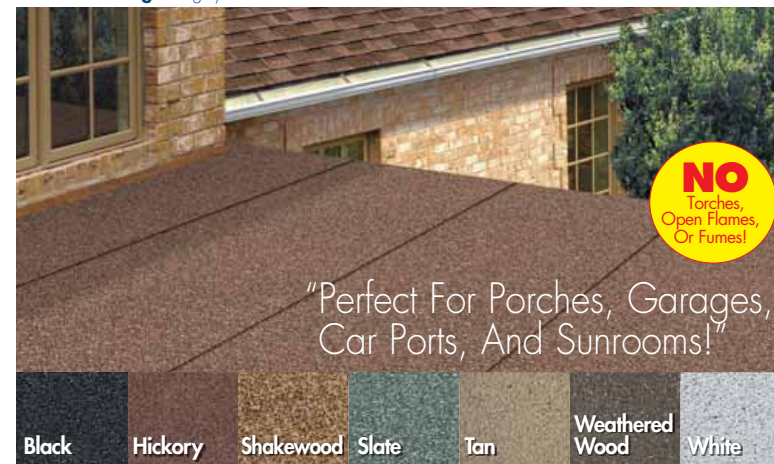


The Master Flow® line offers the finest "energy free" attic ventilators. Dual-bearing turbines are:

- Backed by a Lifetime Ltd. warranty\*
- Internally or externally braced; 12" (305 mm) and 14" (357 mm) sizes
- Available in a large assortment of colors
- Miami-Dade County Product Control approved without storm caps! (select models)

## Self-Adhering Low-Slope Roofing Systems

### LIBERTY™ SBS Self-Adhering Roofing System



"Perfect For Porches, Garages, Car Ports, And Sunrooms!"

#### LIBERTY™ SBS Self-Adhering Base/Ply Sheet

#### LIBERTY™ SBS Self-Adhering Cap Sheet

- **Safer...** Self-adhering membrane system eliminates the need for open flames on the roof
- **No Fumes...** Unlike conventionally applied systems, eliminates the fumes and odors caused by hot asphalt or solvent-based adhesives
- **Proven Technology...** Based on the same technology used in GAF commercial roofing systems—proven in the field for decades!
- **Fast Installation...** Often 1/3 faster than conventional systems, with minimal set-up or clean-up time
- **No Extra Tools...** No need to stage extra equipment
- **Limited Warranty Included...** against manufacturing defects†
- **Extended Guarantees Available...** Optional full-system guarantees against manufacturing defects and workmanship errors available for up to 20 years††
- **7 Popular Colors...** To complement your Timberline® Series or other residential shingle roof

† See Limited Warranty On Liberty™ SBS Materials for complete coverage and restrictions.  
†† See System Pledge™ Roof Guarantee for complete coverage and restrictions.

**Please Note:** These blended colors are designed to complement your shingles, not to be an exact match. Because of the small size of these samples, it is difficult to reproduce the actual color effect. Please be sure to see a full-size roll before making a final color selection.

## Clear Masonry Sealer

### MASONEX™ Clear Masonry Sealer



Add customer value and boost your revenue by sealing chimneys or vertical masonry surfaces on your next roofing job!

- Repels moisture on above-grade vertical masonry surfaces
- Excellent for exposed brick, stucco, stone, or concrete
- Easy-to-apply, no mixing or special equipment

1-gallon (3.70 L) jugs or 5-gallon (18.9 L) pails

## Fiber-Cement Siding

"The One And Only Solution For Repairing Asbestos Siding"

### WeatherSide™ FIBER-CEMENT SIDING



#### Purity™ Shingle

- Textured surface with Straight, Wavy, or Thatched edge

• Size: 12" x 24" (305 mm x 609 mm)



#### Profile Shingle

- Striated surface with straight edge

• Sizes: 9" x 32" (227 mm x 813 mm), 12" x 24" (305 mm x 609 mm), or 14-5/8" x 32" (371 mm x 813 mm)



#### Emphasis™ Shingle

- Extra-thick wood grain surface with Thatched edge

• Size: 14-5/8" x 32" (371 mm x 813 mm)

- **Perfect Design...** Virtually identical in size and shape to millions of old non-existent asbestos siding shingles installed over the last 60 years

- **Avoid Hassles & Expenses...** Great for repairing or matching damaged asbestos siding shingles without the expense of new siding for the whole house

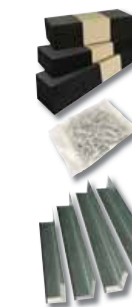
- **Safe...** WeatherSide™ Fiber-Cement Siding contains NO asbestos

- **Easy Installation...** After properly removing the old siding\*, simply nail the WeatherSide™ siding in place and paint

- **Pre-Primed...** Ready to be painted to match the existing wall color

- **Meets Code...** Miami-Dade County Product Control approved, State of Florida approved, UL Listed to ANSI/UL 723, and evaluated by Texas Department of Insurance

### Matching Accessories Available...



- Siding Backer Strips (9" [227 mm], 12" [305 mm], and 14" [357 mm])

- Hot-dipped galvanized Siding Nails

- Pre-Primed Individual Corners (9" [227 mm], 12" [305 mm], and 14" [357 mm], and Emphasis™ Corners)

\*We recommend that any removal and disposal of asbestos-containing products be done by a professionally trained asbestos removal contractor.

## Roof Accessory Paint

### SHINGLE MATCH™

Colors available to complement popular GAF and competitor shingle colors



### PRODUCT SPECIFICATIONS

360° Spray tip  
Can Size: 12 oz.  
Cans Per Case: 6  
Cases Per Pallet: 128

### COLORS:

Barkwood, Birchwood, Charcoal, Driftwood, Fox Hollow Gray, Hickory, Hunter Green, Mission Brown, Pewter Gray, Shakewood, Slate, and Weathered Wood







**TruSlate**  
 "THE AFFORDABLE GENUINE SLATE"®



Color shown:  
**100% Charcoal**  
 Lighting Conditions:  
**Bright sunlight**

*Note: Due to the inherent variability in the color of natural slate (as well as the limitations of the commercial printing process), the actual color and texture of your TruSlate® roof will vary from the photos depicted in this brochure.*

## Traditional Colors From North America's Finest Slate Quarries

- Genuine Hand-Split Quarried Slate... From North America's finest quarries – not a synthetic imitation
- Stunningly Beautiful... Helps differentiate your property and increases curb appeal
- Affordably Priced... Often comparable to the cost of a plastic imitation, tile, or metal
- Quality & Performance... Meets ASTM C406 S1-Grade and most building codes in the U.S.
- Lifetime Ltd. System Warranty\*... When installed by a GAF Certified SlateCrafter™ Specialist

### Specifications

- Slates meet ASTM C406, Grade S1
- Miami-Dade County Product Control approved
- State of Florida approved
- Evaluated by Texas Department of Insurance
- Code Compliance Research Report CRRR-0142
- FM 4473, Class 3 Impact Resistance

For the current specifications on TruSlate®, which is genuine slate (not an asphalt shingle), visit [gaf.com](http://gaf.com) or [truslate.com](http://truslate.com).



[truslate.com](http://truslate.com)

\* See TruSlate® Smart Choice® Limited Warranty and TruSlate® Ultimate Pledge™ Limited Warranty for complete coverage and restrictions. The word "Lifetime" refers to the length of coverage provided by the TruSlate® Smart Choice® Limited Warranty and TruSlate® Ultimate Pledge™ Limited Warranty and means as long as the original individual owner(s) of a single-family detached residence [or the second owner(s) in certain circumstances] owns the property where the TruSlate® Premium Roofing System is installed. For owners/structures not meeting the above criteria, Lifetime coverage is not applicable.

Note: TruSlate® Slate is crafted from natural stone, so there may be variations in color between different slates or from one lot of slates to another. In addition, slate can fade or weather over time and each slate may fade or weather slightly differently, creating a natural mix of colors. For more information about weathering of each TruSlate® color, please see the TruSlate® brochure.

Note: TruSlate® genuine slate roofing is not part of the GAF Lifetime Roofing System.

**Charcoal (U.S.)**

**Autumn Dusk (U.S.)**

**Onyx Black (Canada)**



# Exploring Shingle Styles and Colors

with Nancy Fire



## Nancy Fire, Co-Founder and Creative Director of Design Works International, has defined an exciting trend — taking the Inside Out.

Nancy states, "As homeowners spend more time outside of their homes, they want to extend their interior style and sensibility — whether that be elegant, traditional, or more contemporary — to their outdoor living spaces that include the yard, the deck, and the roof.

"Your roof is a decision with a long-term impact. So make shingle, roofing style, and color choices that will complement your home and your personal style, providing you with years of comfort and satisfaction."

*The color and style of your shingle are important! They go hand in hand when considering what shingle to use on your roof. After all, your roof represents up to 40% of your home's curb appeal, so it will always have a big impact on your home's overall look.*

*Choosing colors for your home's exterior is fun and exciting — and it's also a very significant decision. Remember, the color palette you select won't change with the seasons; it's going to be part of your home for the long term. So whether you like bolder colors that make a statement or you prefer more subtle, softer tones, you want to be sure that the palette you choose today is one that you'll still enjoy on your home years from now.*

- Consider how much of your roof is visible from the street. Many times, larger roofs look more inviting using neutral tones while smaller roofs can be a bit more colorful, with more unique patterns.
- For a more traditional color palette, use tones of a color to incorporate a more subdued style into the exterior of your home. A neutral roof color creates the perfect backdrop for other colors.

- For a more contemporary design statement, try bringing attention to the top of your home (such as, using a red roof on a gray house) while coordinating trees and shrubs in the yard that will extend your roof color to your outdoor space (in this instance, like the Red Leaf Maple).

*When it comes to choosing the style of your roof shingle, there's no such thing as right and wrong — there's only what works best for you and for your home. Certain elements, such as the size and pitch of your roof, can help determine what shingle style will better complement your home's exterior. Today, there are many types of shingle profiles and patterns available to help you differentiate your roof. Decide the statement you want to make, and embrace it!*

- Color and texture add dimension to any home. In choosing your exterior shingle style, remember the importance of curb appeal in making these choices.

- The architectural style of your home is a key component when choosing a shingle style. A Colonial house, for example, might look best with a shingle that features a cleaner, more defined line, while a Victorian home could use a shingle with a more intense hue or a more elaborate and detailed design.

- A large roof surface is much like a blank canvas, giving you almost limitless possibilities for making a dramatic change in the look of your home's exterior. But smaller roofs or roofs with more variations in pitch also offer great opportunities, allowing the incorporation of more unique designs or patterns.

*Above all, choose the shingle color and shingle style that make you feel the most comfortable. It's your home, your personality, your lifestyle. The final decision should reflect that — and do so beautifully!*





A Long History of Innovation Has Made Us North America's Largest Roofing Manufacturer.

**1886** Company Founded

- 1892** First to offer ready-to-lay asphalt roofing
- 1904** First to use colored granules in roofing materials
- 1912** First to introduce individually cut asphalt shingles
- 1933** Introduced first interlocking asphalt shingles
- 1967** Developed today's most popular laminated shingle: Timberline® Shingles
- 1982** First to introduce lighter weight high-performance asphalt shingles
- 1991** Introduced first shingles with High Definition® technology
- 2003** First to introduce self-adhered TPO membranes
- 2004** Introduced first pre-coated energy-efficient modified bitumen membranes
- 2005** Introduced first energy-efficient asphalt shingle available in rich colors AND first capstocked composite decking product
- 2007** Introduced the first shingles with Advanced Protection® Technology—Timberline® Prestique® High Definition® Shingles
- 2010** First to offer Advanced Protection® TPO membranes
- 2011** First to offer Lifetime ltd. warranty on all laminated shingles
- 2012** First to offer Lifetime ltd. warranty on entire GAF roofing system
- 2015** Introduced Glenwood® Shingles, the industry's thickest triple-layer asphalt shingle
- 2016** Introduced Timberline HD® Reflector Series™ Shingles, offering California homeowners a wider variety of rich color options to comply with Title 24 cool roof requirements
- 2018** Introduced StainGuard Plus™ Time-Release Technology to provide homeowners with more consistent and efficient algae stain-fighting power



There's  
a Style  
to fit your  
needs.  
There's  
a Color  
to fit your  
taste.





# MORE ROOFING PLANTS. MORE ROOFING PEOPLE.

**Sammy Sharp**  
Stillyard Leadman  
46 Years Of Service  
Dallas, TX



No matter where you live, there's a GAF plant that serves you, with products specially designed with you in mind. Made by hard-working men and women, many of whom are second- and third-generation employees who grew up with roofing "in their blood." They share our pride in innovation, and our commitment to investing in our country. In fact, GAF has more American plants than any other roofing manufacturer — along with the strongest network of factory-certified roofing contractors based in communities just like yours.